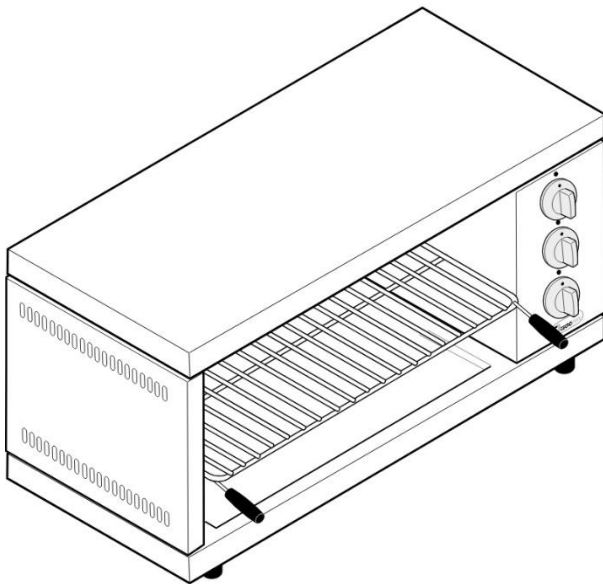

060030

TS2/0

PROFESSIONAL ELECTRIC TOASTER (3 KW)



- TS2/0 professional electric toaster.
- Heating through stainless steel armoured heating elements installed on the upper and lower plates. Activate only the upper or lower elements, or both simultaneously.
- 1 cooking zone 54x30 cm.
- Height-adjustable (3 levels) cooking grid.
- The professional toaster is an appliance for preparing or heating sandwiches, baguettes, pizza or flans.
- Stainless steel structure closed on 3 sides for greater energy savings and faster cooking times.
- Temperature control via energy regulator.
- Removable chrome-plated steel cooking grid and stainless steel grease collection container with removable heat-resistant handles.
- Rubberised plastic feet.
- Timer for up to 15 minutes with beep at end of cooking time.
- Wall installation brackets (optional)

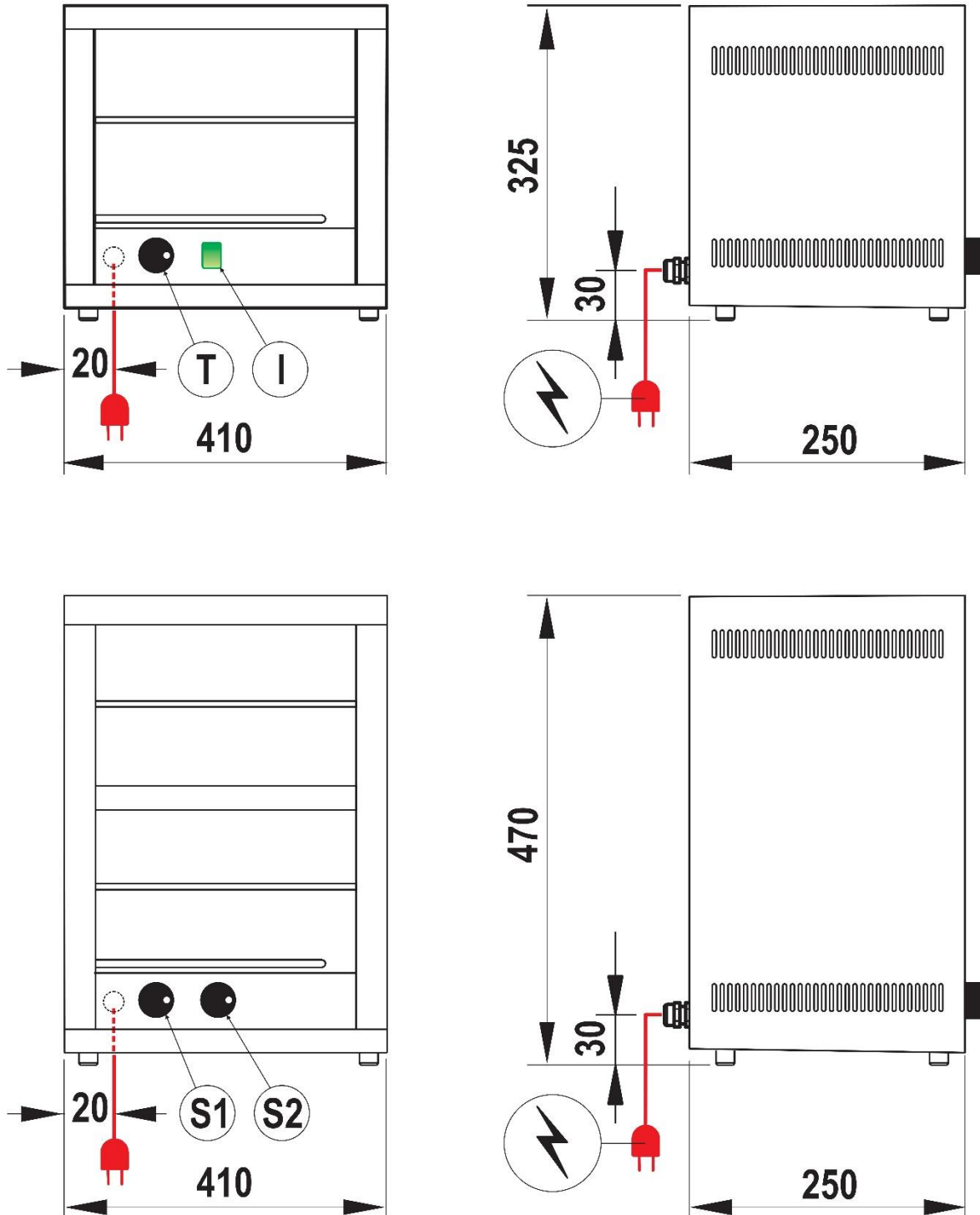
DATI TECNICI

TOTAL POWER	3 kW	ELECTRIC POWER	3 kW
FREQUENCY	50/60 Hz	VOLTAGE	230 ~ V
GUIDES	n° 2	HEATING PLATES	n° 2
MINIMUM POWER CABLE CROSS-SECTION	3 x 1,5 n° - mm ²	COOKING SURFACE	54x30 cm
TIMER	1-15 min	ELECTRIC CABLE TYPE	H07 RN-F
HEATING ZONES	n° 2	ELECTRICAL CONNECTION HEIGHT (H)	15 mm
ELECTRICAL CONNECTION HEIGHT (X)	20 mm	ELECTRICAL CONNECTION HEIGHT (Y)	0 mm
IPX RATING	3	WIDTH	67 cm
DEPTH	34 cm	HEIGHT	27 cm
PACKAGE WIDTH	73,0 cm	PACKAGE DEPTH	47 cm
PACKAGE HEIGHT	36,0 cm	NET WEIGHT	16,6000 kg
GROSS WEIGHT	18,6 kg	VOLUME	0,1200 m ³
HARMONISED CODE	84198180		

ACCESSORI

9010	WALL BRACKETS FOR TOASTERS
9014	TOAST TONGS

SCHEMI DI INSTALLAZIONE



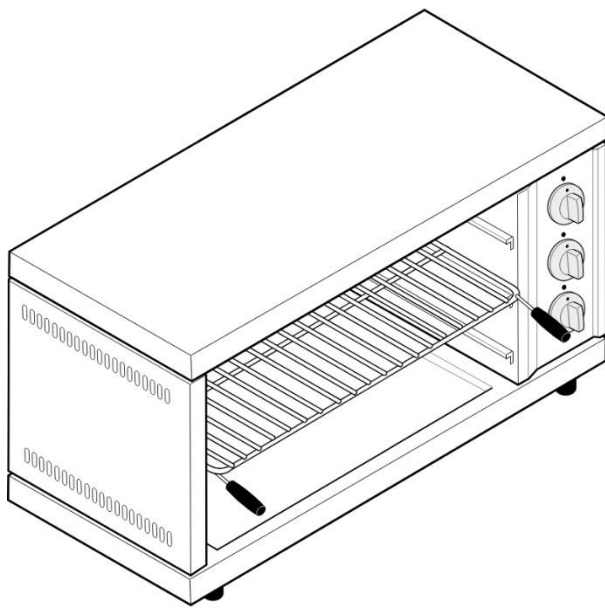
↳ = Entrata cavo elettrico | Power supply cable inlet | Netzkabeleingang | Вход электропровода | Entrée câble électrique | Entrada cable eléctrico.

Fig.1 | Abb.1 | рис.1 - 5415.699.00

060090

TSP/0

PROFESSIONAL ELECTRIC TOASTER (4 KW)



- TSP/0 professional electric toaster.
- Heating through stainless steel armoured heating elements installed on the upper, lower and intermediary plates (activate only the upper or lower elements, or both simultaneously).
- 1 cooking zone 54x30 cm.
- Height-adjustable (2 levels) cooking grid.
- The professional toaster is an appliance for preparing or heating sandwiches, baguettes, pizza or flans.
- Stainless steel structure closed on 3 sides for greater energy savings and faster cooking times.
- Temperature control via energy regulator.
- Removable chrome-plated steel cooking grid and stainless steel grease collection container with removable heat-resistant handles.
- Rubberised plastic feet.
- Timer for up to 15 minutes with beep at end of cooking time.
- Wall installation brackets (optional)

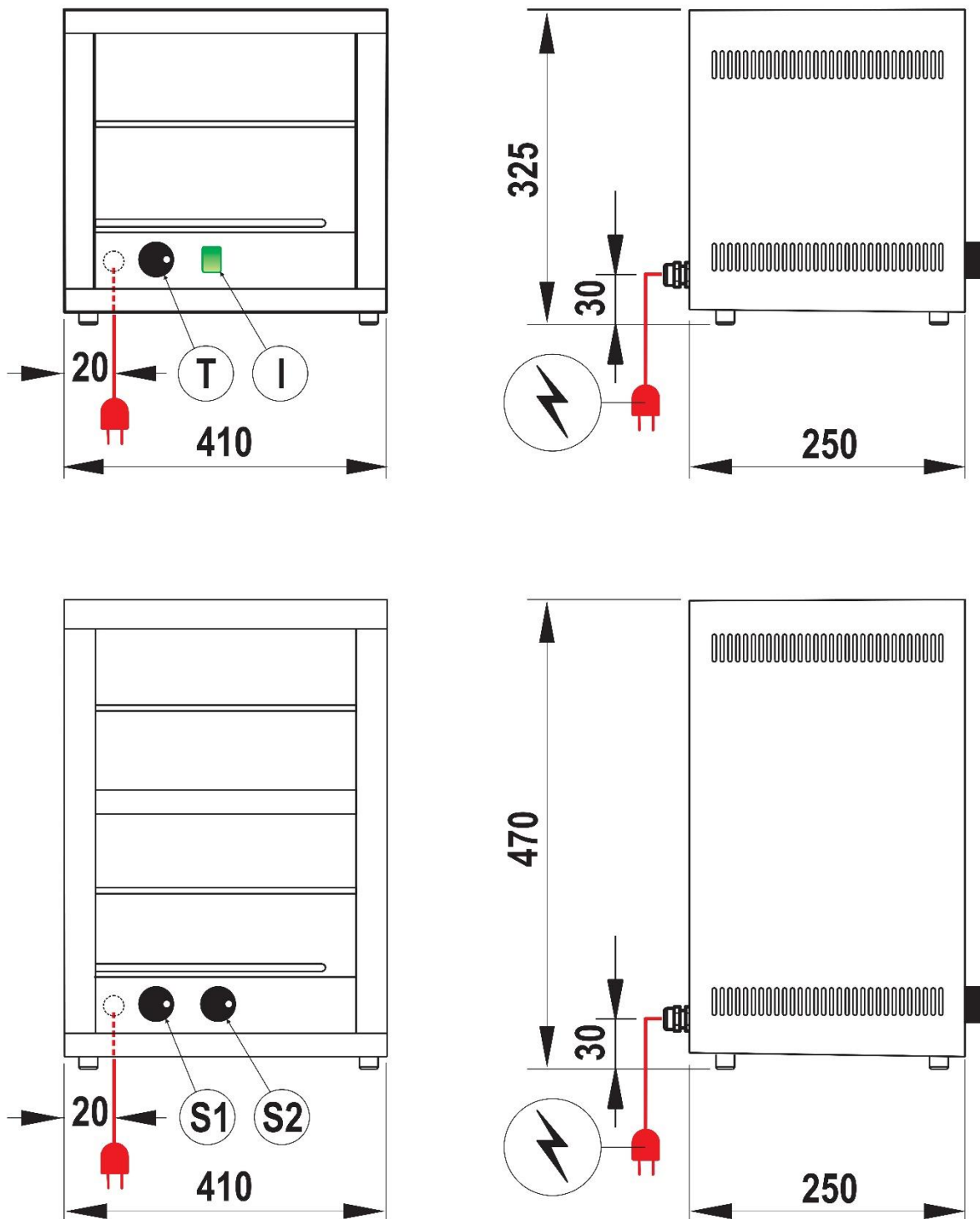
DATI TECNICI

TOTAL POWER	4 kW	ELECTRIC POWER	4 kW
FREQUENCY	50/60 Hz	VOLTAGE	220-240 ~ V
GUIDES	n° 2	HEATING PLATES	n° 3
MINIMUM POWER CABLE CROSS-SECTION	3 x 2,5 n° - mm ²	COOKING SURFACE	54x30 cm
TIMER	1-15 min	ELECTRIC CABLE TYPE	H07 RN-F
HEATING ZONES	n° 2	ELECTRICAL CONNECTION HEIGHT (H)	15 mm
ELECTRICAL CONNECTION HEIGHT (X)	20 mm	ELECTRICAL CONNECTION HEIGHT (Y)	0 mm
IPX RATING	3	WIDTH	67 cm
DEPTH	34 cm	HEIGHT	36 cm
PACKAGE WIDTH	73,0 cm	PACKAGE DEPTH	47 cm
PACKAGE HEIGHT	46 cm	NET WEIGHT	18,9000 kg
GROSS WEIGHT	22,8 kg	VOLUME	0,16 m ³
HARMONISED CODE	84198180		

ACCESSORI

9010	WALL BRACKETS FOR TOASTERS
9014	TOAST TONGS

SCHEMI DI INSTALLAZIONE



↖ = Entrata cavo elettrico | Power supply cable inlet | Netzkabeleingang | Вход электропровода | Entrée câble électrique | Entrada cable eléctrico.

Fig.1 | Abb.1 | рис.1 - 5415.699.00

060190

TSP/1

PROFESSIONAL ELECTRIC TOASTER (4 KW)



- TSP/1 professional electric toaster.
- Heating through stainless steel armoured heating elements installed on the upper, lower and intermediary plates (activate only the upper or lower elements, or both simultaneously).
- 1 cooking zone 54x30 cm.
- Height-adjustable (2 levels) cooking grid.
- The professional toaster is an appliance for preparing or heating sandwiches, baguettes, pizza or flans.
- Stainless steel structure closed on 3 sides for greater energy savings and faster cooking times.
- Temperature control via energy regulator.
- Removable chrome-plated steel cooking grid and stainless steel grease collection container with removable heat-resistant handles.
- Rubberised plastic feet.
- Timer for up to 15 minutes with beep at end of cooking time.
- Wall installation brackets (optional)

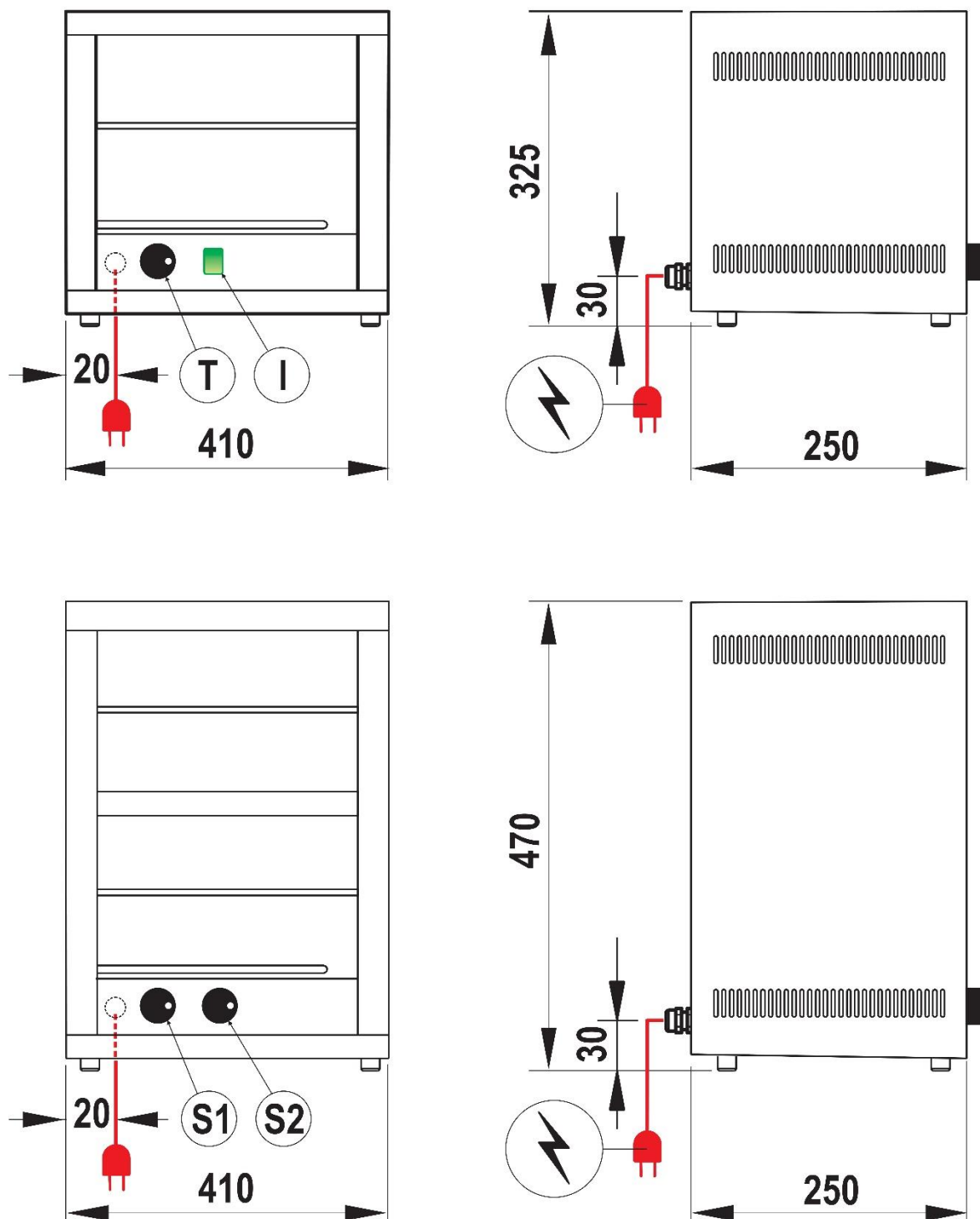
DATI TECNICI

TOTAL POWER	4 kW	ELECTRIC POWER	4 kW
FREQUENCY	50/60 Hz	VOLTAGE	400 2N ~ V
GUIDES	n° 2	HEATING PLATES	n° 3
MINIMUM POWER CABLE CROSS-SECTION	5 x 2,5 n° - mm ²	COOKING SURFACE	54x30 cm
TIMER	1-15 min	ELECTRIC CABLE TYPE	H07 RN-F
HEATING ZONES	n° 1	ELECTRICAL CONNECTION HEIGHT (H)	15 mm
ELECTRICAL CONNECTION HEIGHT (X)	20 mm	ELECTRICAL CONNECTION HEIGHT (Y)	0 mm
IPX RATING	3	WIDTH	67 cm
DEPTH	34 cm	HEIGHT	36 cm
PACKAGE WIDTH	73,0 cm	PACKAGE DEPTH	46,0 cm
PACKAGE HEIGHT	45,0 cm	NET WEIGHT	20,9000 kg
GROSS WEIGHT	23,0000 kg	VOLUME	0,1500 m ³
HARMONISED CODE	84198180		

ACCESSORI

9010	WALL BRACKETS FOR TOASTERS
9014	TOAST TONGS

SCHEMI DI INSTALLAZIONE



↖ = Entrata cavo elettrico | Power supply cable inlet | Netzkabeleingang | Вход электропровода | Entrée câble électrique | Entrada cable eléctrico.

Fig.1 | Abb.1 | рис.1 - 5415.699.00