

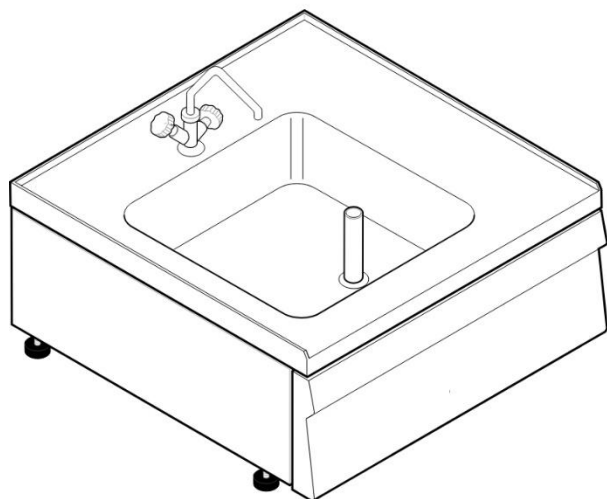
---

**110170**

L70/6

**TECNO60 SINK WITH TAP - DIM. CM 70X60X30H**

---



- Sink with mixer valve, top version (70x60 cm).
- AISI 304 stainless steel deep drawn tank (40x40x20 cm) seamlessly welded to the AISI 304 stainless steel worktop with Scotch Brite finish.
- Stainless steel control panel and side panels.
- Mixer valve and overflow included. Lever mixer (optional).
- Module coupling system with external side joints.
- Plastic feet (H=51 mm).

---

**TECHNICAL DATA**

TANK CAPACITY	32lt	TANK DIMENSIONS	40x40x20 cm
WATER CONNECTION DIAMETER	1/2"	DRAIN DIAMETER	1" 1/2
WIDTH	70 cm	DEPTH	60 cm
HEIGHT	30 cm	PACKAGE WIDTH	76,0 cm
PACKAGE DEPTH	71,0 cm	PACKAGE HEIGHT	53,0 cm
NET WEIGHT	12,5000 kg	GROSS WEIGHT	20,0000 kg
VOLUME	0,2900 m <sup>3</sup>	HARMONISED CODE	73241090

---

**ACCESSORIES**

120585 JOINT FOR TECNO60, TECNO65  
120666 TECNO60 SPLASHBACK L=700MM  
9024 LEVER MIXER

INSTALLATION SCHEMES



IMMAGINE DA DEFINIRE