

---

**113021****FTR35G/G6****GAS GRIDDLE WITH RIBBED PLATE (TOP VERSION)**

---



- Gas griddle with steel ribbed plate (35 cm top version).
- Horizontal cooking plate (12 cm thick).
- Heating through 1 steel tubular burner (4 kW).
- Valved tap with maximum temperature of 390°C.
- Stainless steel control panel and side panels.
- Module coupling system with external side joints.
- Appliances intended for direct cooking.
- Cooking plate hermetically sealed to the worktop.
- Ignition through a piezoelectric device.
- Pilot burner and safety thermocouple.
- Grooving with a cap and removable drawer for collecting grease and liquids.
- Removable splashback on 3 sides integrated into the worktop.
- Plastic feet (H=51 mm).
- The gas appliances are CE-certified by German body DVGW and have passed the most stringent safety tests.
- The equipment is delivered in accordance with the customer's specifications in terms of installed nozzles, even during testing. G20 natural gas is the standard configuration. In addition, spare nozzles are included should conversion be necessary on site.

---

**TECHNICAL DATA**

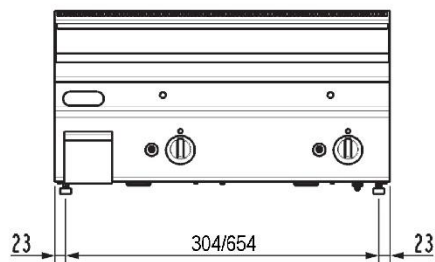
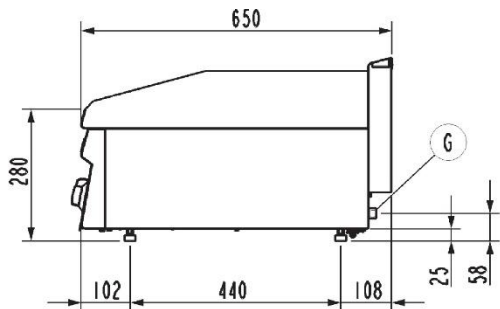
TOTAL POWER	4 kW	GAS POWER	4 kW
NATURAL GAS CONSUMPTION	0,42 m <sup>3</sup> /h	COOKING SURFACE	34,6x52 cm
PLATE TYPE	Ribbed	HEATING ZONES	n° 1
CE GAS CERTIFICATE NUMBER	CE-0085BO0093	GAS CONNECTION DIAMETER	1/2"G EN10226-1
GAS CONNECTION HEIGHT (H)	0 mm	GAS CONNECTION HEIGHT (X)	305 mm
GAS CONNECTION HEIGHT (Y)	-100 mm	FOOT HEIGHT	51 mm
IPX RATING	4	WIDTH	35 cm
DEPTH	60 cm	HEIGHT	30 cm
PACKAGE WIDTH	71,0 cm	PACKAGE DEPTH	42 cm
PACKAGE HEIGHT	54 cm	NET WEIGHT	27 kg
GROSS WEIGHT	34 kg	VOLUME	0,16 m <sup>3</sup>
HARMONISED CODE	84198180	LPG CONSUMPTION	0.32 m <sup>3</sup> /h
LATENT HEAT RELEASE	1600.0 W	SENSIBLE HEAT RELEASE	1400.0 W
STEAM RELEASE	2352.0 g/h		

---

**ACCESSORIES**

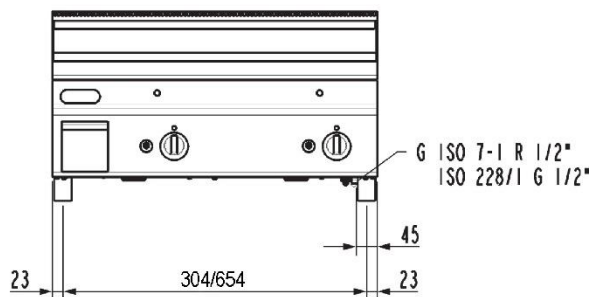
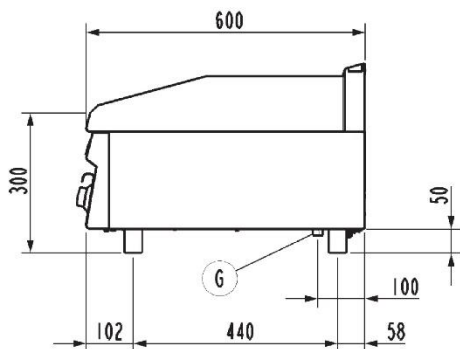
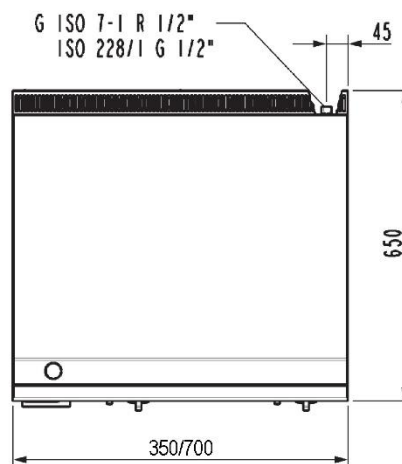
- 120591 PAIR OF JOINTS FOR GAS GRIDDLES
- 120595 GRIDDLE-CLEANING SCRAPER
- 120597 SCRAPER - SPARE BLADE KIT (10 PCS)

INSTALLATION SCHEMES

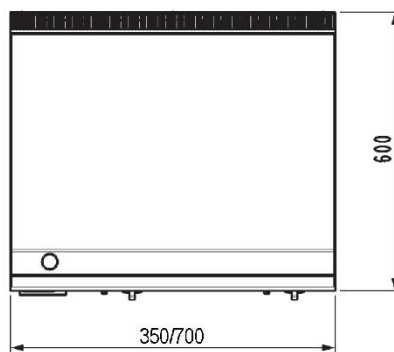


**FT...G/O**

G ISO 7-1 R 1/2"  
ISO 228/1 G 1/2"



**FT...G/G6**



G (½"ISO228-1 – G ½" EN 10226-1) = Attacco gas | Gas inlet connection | Gasanschluss | Подсоединение газ | Arrivie gaz | Entrada gas.

Fig.1 | Abb.1 | рис.1 - 5415.680.00