
116039

SP35E/6/0

GN2/3 ELECTRIC CHIP SCUTTLE (TOP VERSION)



- GN 2/3 electric chip scuttle (35 cm top version).
- Stainless steel control panel and side panels.
- Module coupling system with external side joints.
- AISI 304 worktop with Scotch Brite finish.
- Removable container (GN 2/3 H 200 mm) with false bottom for oil dripping, both in AISI 304 stainless steel.
- Heating through a lamp with ceramic-cast infrared heating element.
- Energy regulator 0-1-6-Infinite.
- Plastic feet (H=51 mm).

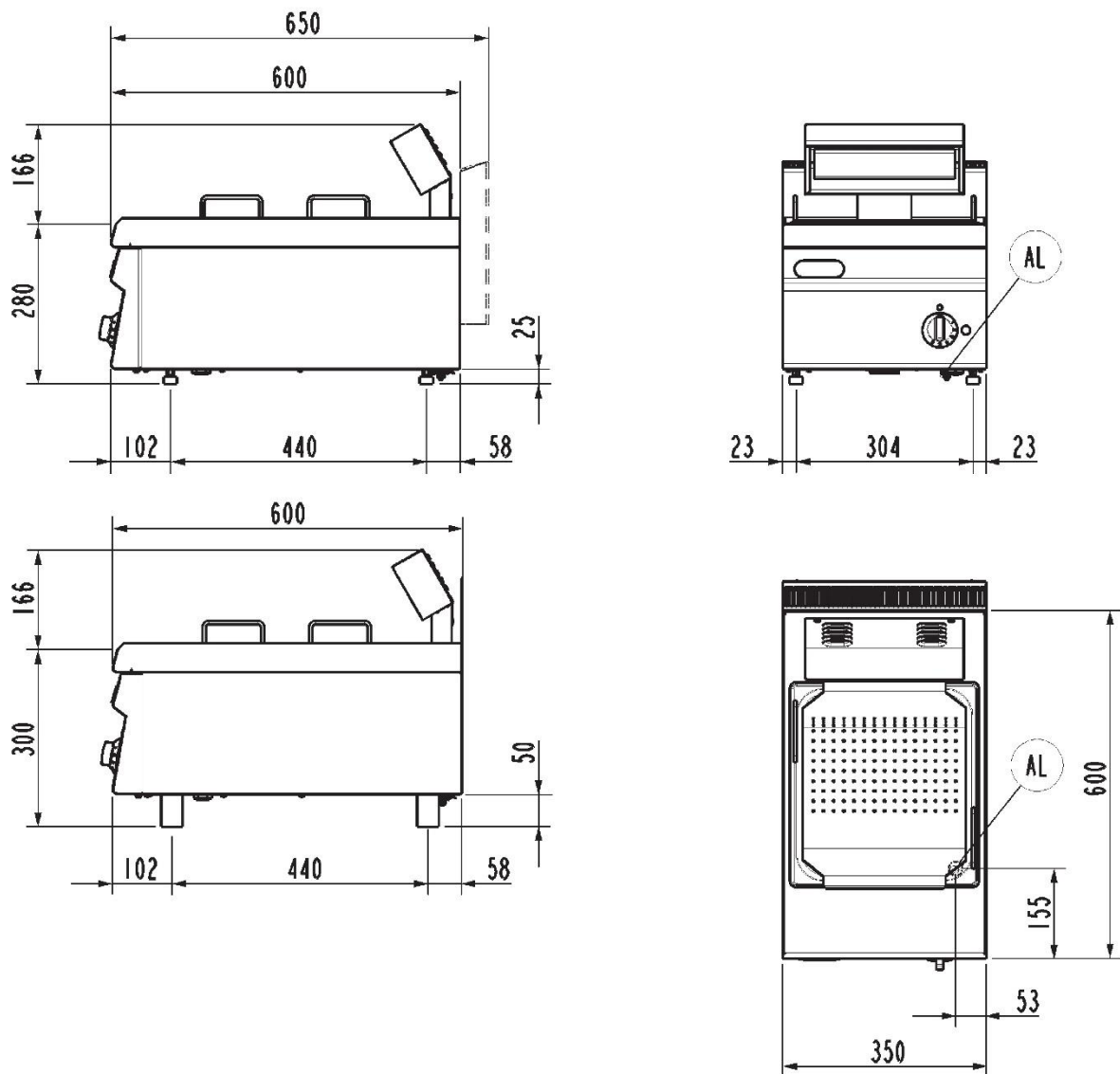
TECHNICAL DATA

TOTAL POWER	0,65 kW	ELECTRIC POWER	0,65 kW
FREQUENCY	50/60 Hz	VOLTAGE	220-240 ~ V
TANK CAPACITY	GN2/3	TANK DIMENSIONS	32,5x35,4x20 cm
MINIMUM POWER CABLE CROSS-SECTION	3 x 1,5 n° - mm ²	ELECTRIC CABLE TYPE	H07 RN-F
TANK TYPE	AISI 304	GAS CONNECTION HEIGHT (H)	0 mm
GAS CONNECTION HEIGHT (X)	297 mm	GAS CONNECTION HEIGHT (Y)	-445 mm
FOOT HEIGHT	51 mm	IPX RATING	4
WIDTH	35 cm	DEPTH	60 cm
HEIGHT	30 cm	PACKAGE WIDTH	76 cm
PACKAGE DEPTH	46 cm	PACKAGE HEIGHT	61 cm
NET WEIGHT	11,8 kg	GROSS WEIGHT	16,8 kg
VOLUME	0,2100 m ³	HARMONISED CODE	84198180

ACCESSORIES

120585 JOINT FOR TECNO60, TECNO65
120665 TECNO60 SPLASHBACK L=350MM

INSTALLATION SCHEMES



Al = Entrata cavo elettrico | Power supply cable inlet | Netzkabeleingang | Вход электропровода | Entrée câble électrique | Entrada cable eléctrico.

Fig.1 | Abb.1 | рис.1 - 5415.684.00