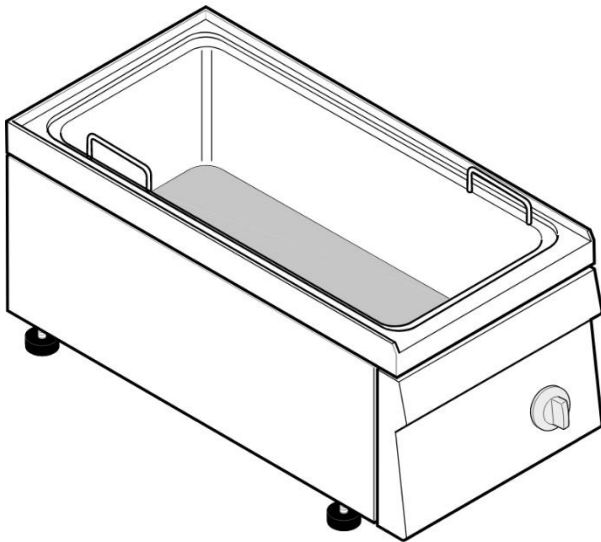

116059

BRM35E/6/0

**ELECTRIC, MULTI-PURPOSE BRATT PAN (7.5 L,
TOP VERSION) - 10 MM THICK BOTTOM**



- Multipurpose electric bratt pan (35 cm, 7.5 l).
- Stainless steel control panel and side panels.
- Module coupling system with external side joints.
- The bratt pan is intended to braise and prepare stews, sauces, risottos, pan-fried vegetables and cooking with minimal liquid. Use as a fryer is not allowed.
- Removable tank with DUPLEX bottom (10 mm) and AISI 304 stainless steel walls (2 mm).
- Heating through Incoloy armoured heating elements.
- Thermostatic regulation 0-300°C.
- Green light indicating voltage presence.
- A safety thermostat triggers in case of abnormal operation.
- Plastic feet (H=51 mm).

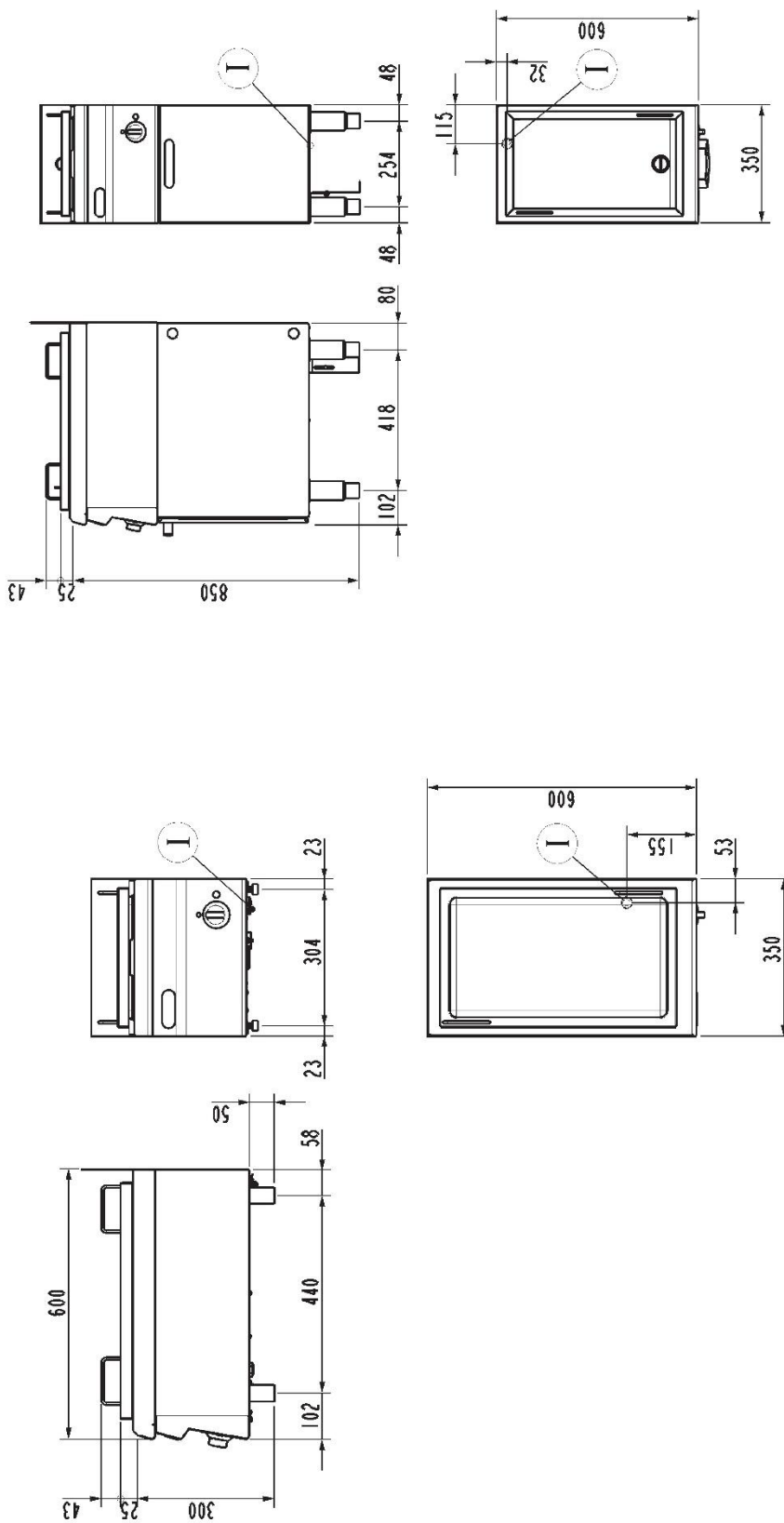
TECHNICAL DATA

TOTAL POWER	3,3 kW	ELECTRIC POWER	3,3 kW
FREQUENCY	50/60 Hz	VOLTAGE	400 3N ~ V
TANK CAPACITY	7,5lt	TANK DIMENSIONS	26,5x48x8 cm
MINIMUM POWER CABLE CROSS-SECTION	5 x 1,5 n° - mm ²	TANK BOTTOM THICKNESS	10 mm
DRAINING THE TANK	Removable tank	ELECTRIC CABLE TYPE	H07 RN-F
IPX RATING	4	WIDTH	35 cm
DEPTH	60 cm	HEIGHT	30 cm
PACKAGE WIDTH	71,0 cm	PACKAGE DEPTH	41,0 cm
PACKAGE HEIGHT	53,0 cm	NET WEIGHT	25,3 kg
GROSS WEIGHT	29,30 kg	VOLUME	0,15 m ³
HARMONISED CODE	84198180		

ACCESSORIES

120585 JOINT FOR TECNO60, TECNO65
120665 TECNO60 SPLASHBACK L=350MM

INSTALLATION SCHEMES



I = Entrata cavo elettrico | Power supply cable inlet | Netzkabeleingang | Вход электропровода | Entrée câble électrique | Entrada cable eléctrico.

Fig.1 | Abb.1 | рис.1 - 5415.689.00