
123021**FTR35G/0****GAS GRIDDLE WITH RIBBED PLATE (TOP VERSION)**



- Gas griddle with steel ribbed plate (35 cm top version).
- Horizontal cooking plate (12 cm thick).
- Heating through 1 steel tubular burner (4 kW).
- Valved tap with maximum temperature of 390°C.
- Stainless steel control panel and side panels.
- Module coupling system with external side joints.
- Appliances intended for direct cooking.
- Cooking plate hermetically sealed to the worktop.
- Ignition through a piezoelectric device.
- Pilot burner and safety thermocouple.
- Grooving with a cap and removable drawer for collecting grease and liquids.
- Removable splashback on 3 sides integrated into the worktop.
- Height-adjustable rubberised plastic feet (15-25 mm).
- Technical compartment to facilitate connection to the gas network.
- The gas appliances are CE-certified by German body DVGW and have passed the most stringent safety tests.
- The equipment is delivered in accordance with the customer's specifications in terms of installed nozzles, even during testing. G20 natural gas is the standard configuration. In addition, spare nozzles are included should conversion be necessary on site.

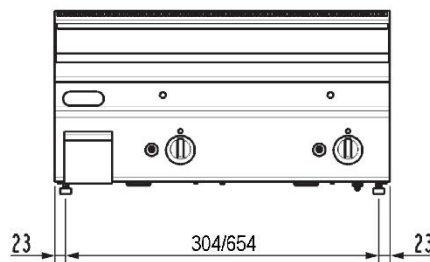
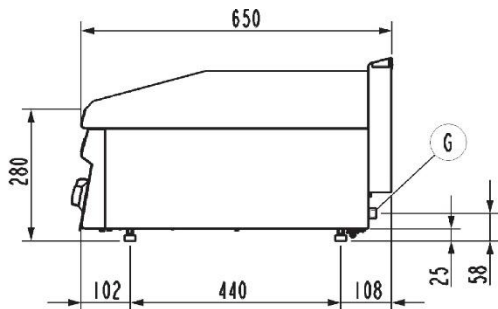
TECHNICAL DATA

TOTAL POWER	4 kW	GAS POWER	4 kW
NATURAL GAS CONSUMPTION	0,42 m³/h	COOKING SURFACE	34,6x56,4 cm
PLATE TYPE	Ribbed	HEATING ZONES	n° 1
CE GAS CERTIFICATE NUMBER	CE-0085BO0093	GAS CONNECTION DIAMETER	1/2"G EN10226-1
GAS CONNECTION HEIGHT (H)	33 mm	GAS CONNECTION HEIGHT (X)	305 mm
GAS CONNECTION HEIGHT (Y)	-50 mm	FOOT HEIGHT	25 mm
FOOT ADJUSTMENT	25/35 mm	WIDTH	35 cm
DEPTH	65 cm	HEIGHT	28 cm
PACKAGE WIDTH	71,0 cm	PACKAGE DEPTH	41,0 cm
PACKAGE HEIGHT	53,0 cm	NET WEIGHT	32,0000 kg
GROSS WEIGHT	37,0000 kg	VOLUME	0,1500 m³
HARMONISED CODE	84198180	LPG CONSUMPTION	0.32 m³/h
LATENT HEAT RELEASE	1600.0 W	SENSIBLE HEAT RELEASE	1400.0 W
STEAM RELEASE	2352.0 g/h		

ACCESSORIES

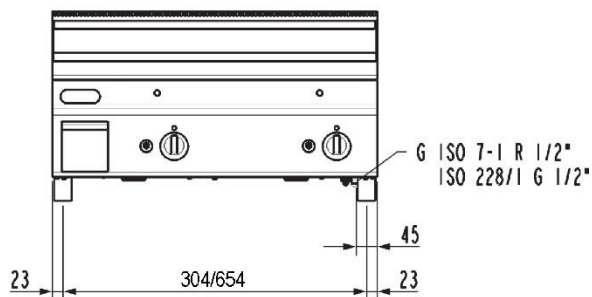
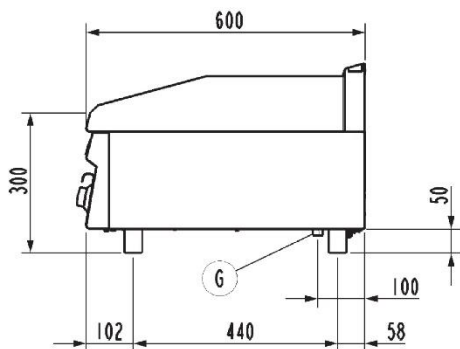
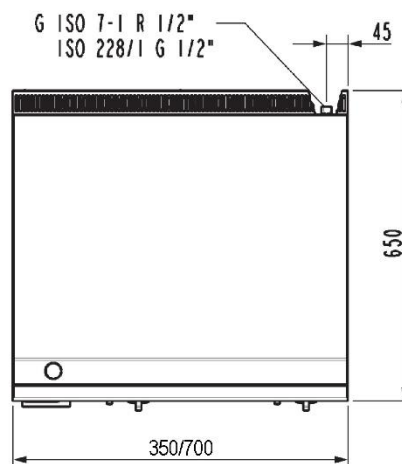
- 120590 PAIR OF JOINTS FOR GRIDDLES
- 120595 GRIDDLE-CLEANING SCRAPER
- 120597 SCRAPER - SPARE BLADE KIT (10 PCS)

INSTALLATION SCHEMES

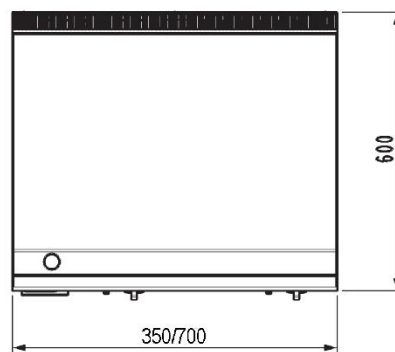


FT...G/0

G ISO 7-1 R 1/2"
ISO 228/1 G 1/2"



FT...G/G6



G (1/2"ISO228-1 – G 1/2" EN 10226-1) = Attacco gas | Gas inlet connection | Gasanschluss | Подсоединение газ | Arriviee gaz | Entrada gas.

Fig.1 | Abb.1 | рис.1 - 5415.680.00