

126035

FR70E/0

**SINGLE TANK 8+8L ELECTRIC FRYER WITH IN-TANK TILTING HEATING ELEMENTS - BASKETS AND LIDS INCLUDED**



- Electric fryer (8+8 l, 70 cm top version) with 2 independent tanks.
- Stainless steel control panel and side panels.
- Module coupling system with external side joints.
- AISI 304 deep drawn tank with rounded corners seamlessly welded to an AISI 304 deep drawn worktop, Scotch Brite finish.
- Worktop with front area for oil and foam expansion.
- Rounded internal profile of the tank to facilitate cleaning, complying with hygiene standards.
- Heating through AISI 304 stainless steel tilting armoured heating elements for easy cleaning of the tank.
- Operating thermostat ranging between 100°C and 190°C below oil smoke point.
- Bulb thermostats immersed in oil are more efficient in sensing the temperature inside the tank, promptly adjusting the oil to the desired temperature, minimising smoke points, and prolonging the oil life.
- A safety thermostat triggers in case of abnormal operation.
- Basket support fixed to the tilting device.
- Front drain with elbow extension included.
- Lid and basket included for each tank.
- Technical compartment to facilitate connection to the electrical network.
- Height-adjustable rubberised plastic feet (15-25 mm)

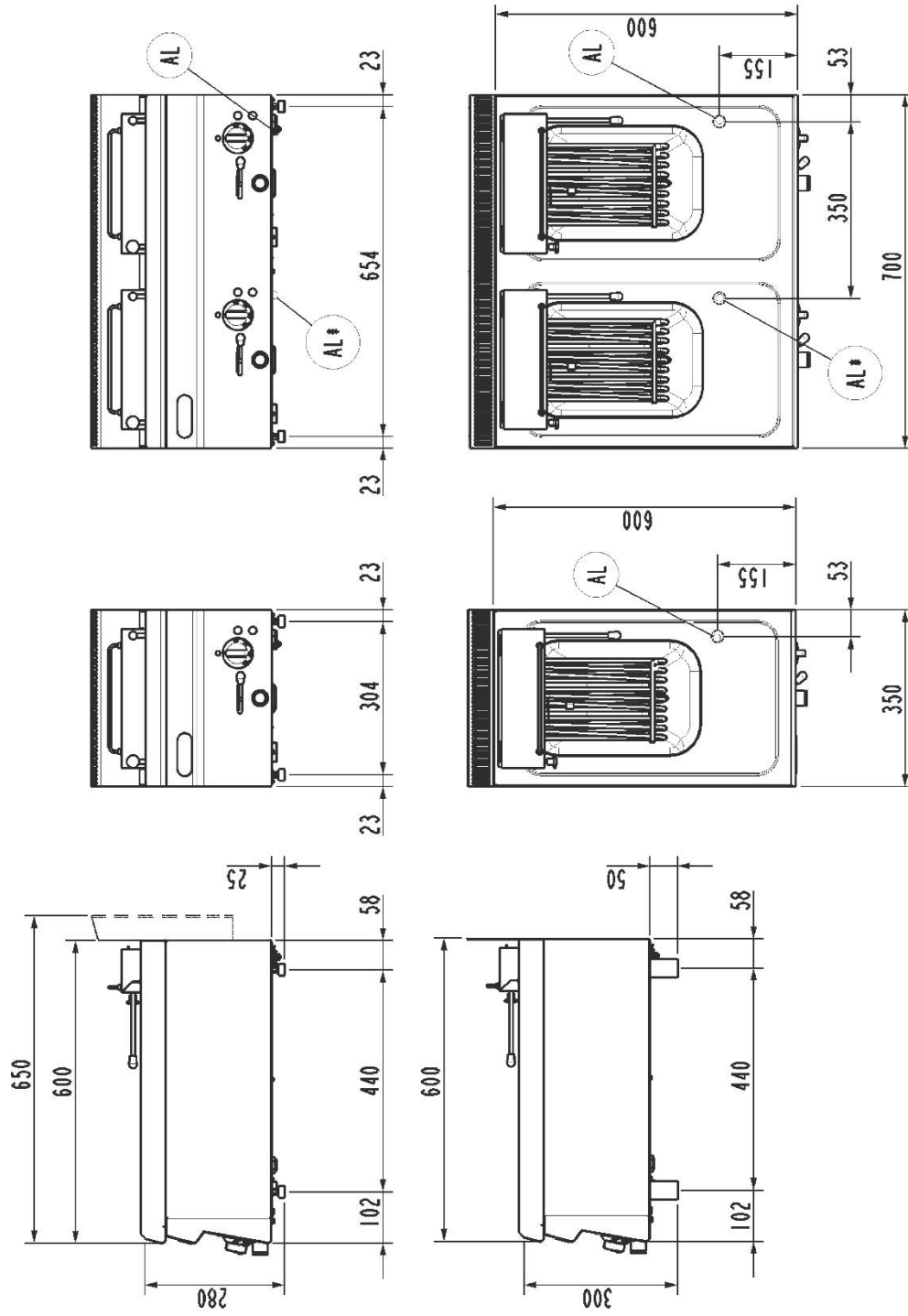
## TECHNICAL DATA

TOTAL POWER	12 kW	ELECTRIC POWER	12 kW
FREQUENCY	50/60 Hz	VOLTAGE	400 3N ~ V
TEMPERATURE RANGE	100÷190 °C	TANK CAPACITY	8lt+8lt
TANK DIMENSIONS	22,5x34x22,5 cm	HEATING	Heating elements in the tank
MINIMUM POWER CABLE CROSS-SECTION	5 x 2,5 n° - mm <sup>2</sup>	ELECTRIC CABLE TYPE	H07 RN-F
TANK TYPE	AISI 304	TANKS	n° 2
ELECTRICAL CONNECTION HEIGHT (H)	0 mm	ELECTRICAL CONNECTION HEIGHT (X)	647 mm
ELECTRICAL CONNECTION HEIGHT (Y)	-495 mm	FOOT HEIGHT	25 mm
FOOT ADJUSTMENT	25/35 mm	IPX RATING	4
WIDTH	70 cm	DEPTH	65 cm
HEIGHT	28 cm	PACKAGE WIDTH	76,0 cm
PACKAGE DEPTH	71,0 cm	PACKAGE HEIGHT	54 cm
NET WEIGHT	29,5000 kg	GROSS WEIGHT	36 kg
VOLUME	0,2900 m <sup>3</sup>	HARMONISED CODE	84198180
LATENT HEAT RELEASE	8400.0 W	SENSIBLE HEAT RELEASE	1080.0 W
STEAM RELEASE	12360.0 g/h		

## ACCESSORIES

- 120575 EXTRA FRYER BASKET (8L) - DIM. CM (21X26.5X10.5H)
- 120585 JOINT FOR TECNO60, TECNO65
- 120690 2 EXTRA FRYER BASKETS (8L) - DIM. CM (10.5X26.5X10.5H)

INSTALLATION SCHEMES



Al = Entrata cavo elettrico | Power supply cable inlet | Netzkabeleingang | Вход электропровода | Entrée câble électrique | Entrada cable de alimentación.

Al\* = Entrata 2° cavo elettrico | 2nd Power supply cable inlet | 2° Netzkabeleingang | 2° Вход электропровода | Entrée 2° câble électrique | Entrada 2° cable de alimentación.

Fig.1 | Abb.1 | рис.1 - 5415.681.00