

---

**126037**

SP35E/0

**GN2/3 ELECTRIC CHIP SCUTTLE (TOP VERSION)**

---



- GN 2/3 electric chip scuttle (35 cm top version).
- Stainless steel control panel and side panels.
- Module coupling system with external side joints.
- AISI 304 worktop with Scotch Brite finish.
- Removable container (GN 2/3 H 200 mm) with false bottom for oil dripping, both in AISI 304 stainless steel.
- Heating through a lamp with ceramic-cast infrared heating element.
- Energy regulator 1-6-Infinite.
- Technical compartment to facilitate connection to the electrical network.
- Height-adjustable rubberised plastic feet (15-25 mm)

---

**TECHNICAL DATA**

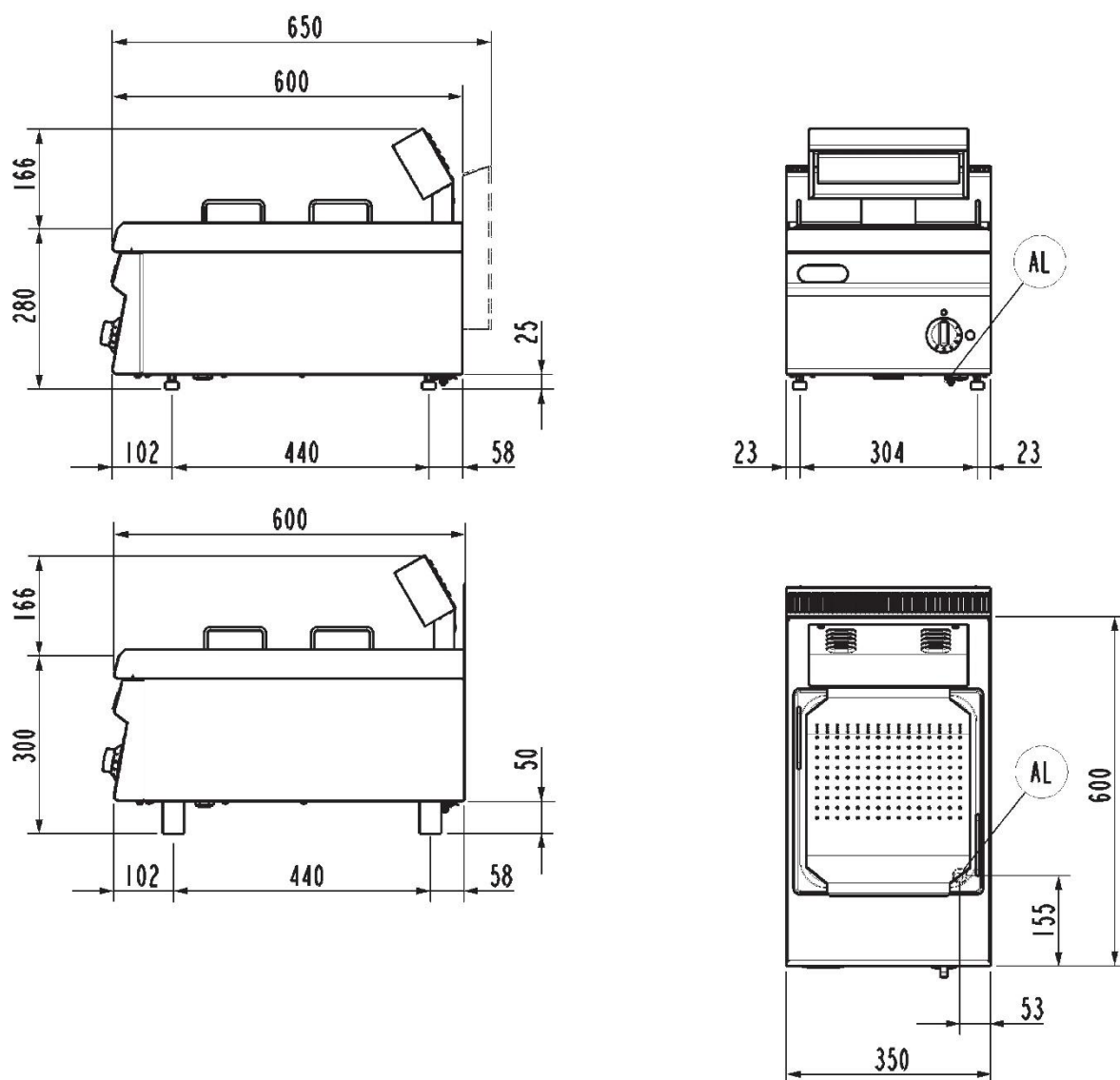
TOTAL POWER	0,65 kW	ELECTRIC POWER	0,65 kW
FREQUENCY	50/60 Hz	VOLTAGE	220-240 ~ V
TANK CAPACITY	GN2/3	TANK DIMENSIONS	32,5x35,4x20 cm
MINIMUM POWER CABLE CROSS-SECTION	3 x 1,5 n° - mm <sup>2</sup>	ELECTRIC CABLE TYPE	H07 RN-F
TANK TYPE	AISI 304	GAS CONNECTION HEIGHT (H)	0 mm
GAS CONNECTION HEIGHT (X)	297 mm	GAS CONNECTION HEIGHT (Y)	-495 mm
FOOT HEIGHT	25 mm	FOOT ADJUSTMENT	25/35 mm
IPX RATING	4	WIDTH	35 cm
DEPTH	65 cm	HEIGHT	28 cm
PACKAGE WIDTH	75 cm	PACKAGE DEPTH	46 cm
PACKAGE HEIGHT	60 cm	NET WEIGHT	14,2000 kg
GROSS WEIGHT	18,2 kg	VOLUME	0,20 m <sup>3</sup>
HARMONISED CODE	84198180		

---

**ACCESSORIES**

120585 JOINT FOR TECNO60, TECNO65

## INSTALLATION SCHEMES



Al = Entrata cavo elettrico | Power supply cable inlet | Netzkabeleingang | Вход электропровода | Entrée câble électrique | Entrada cable eléctrico.

Fig.1 | Abb.1 | рис.1 - 5415.684.00