

---

**136038****DCP35E0****GN2/3 ELECTRIC PASTA COOKER WITH SINGLE TANK (23 L, DROP-IN VERSION)**

---



- Electric drop-in pasta cooker GN2/3 (23 l, 35 x 60 x 32 cm).
- Drop-ins are appliances inserted into worktops of different non-flammable materials. Modules can rest on the worktop or be installed flush the worktop.
- Stainless steel control panel.
- A pasta cooker is also used to boil rice, vegetables, meat and other products.
- The deep drawn tank with rounded corners is seamlessly welded to an AISI 304 top with Scotch Brite finish.
- AISI 316 stainless steel tank, drainpipe, and false bottom for long-lasting resistance against salt corrosion.
- Water filling control on the control panel.
- Water injector inside the tank.
- Heating through armoured heating elements in Incoloy alloy outside the tank.
- Energy regulator 0-1-2-3.
- Green light indicating voltage presence.
- Safety thermostat to protect the tank against ignition without water or excessive evaporation.
- Overflow for draining starch in the front part of the tank.
- Draining with a tap on the tank bottom.
- Baskets not included.

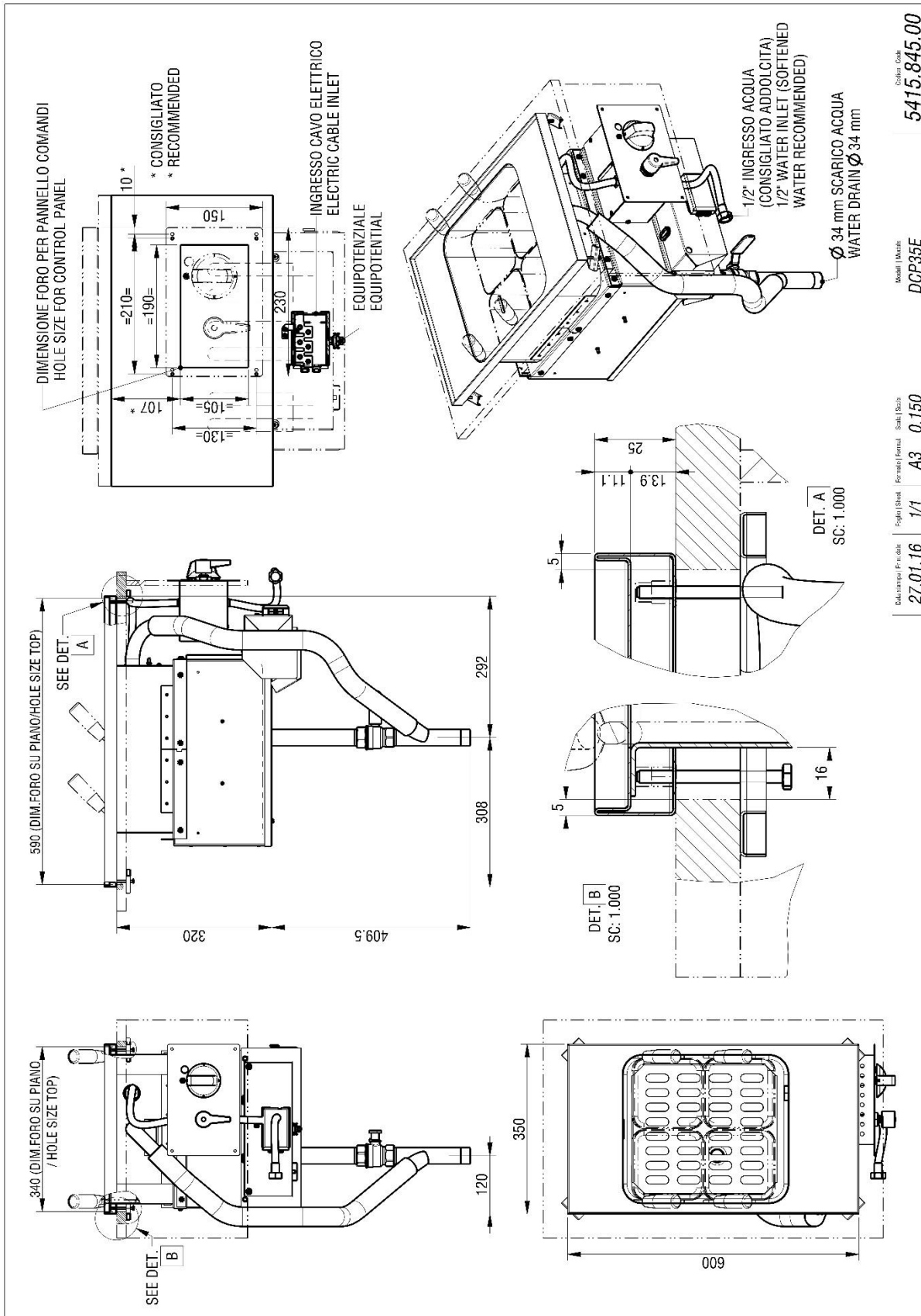
## TECHNICAL DATA

TOTAL POWER	4,8 kW	ELECTRIC POWER	4,8 kW
FREQUENCY	50/60 Hz	VOLTAGE	400 3N ~ V
TANK CAPACITY	23lt	LOADING WATER	Injector in the tank
TANK DIMENSIONS	30,5x34x29 cm	MINIMUM POWER CABLE CROSS-SECTION	5 x 1,5 n° - mm <sup>2</sup>
ELECTRIC CABLE TYPE	H07 RN-F	TANK TYPE	AISI 316
WATER CONNECTION DIAMETER	1/2"	DRAIN DIAMETER	1"
WIDTH	35 cm	DEPTH	60 cm
HEIGHT	32 cm	PACKAGE WIDTH	75 cm
PACKAGE DEPTH	41 cm	PACKAGE HEIGHT	118 cm
NET WEIGHT	20 kg	GROSS WEIGHT	28 kg
VOLUME	0,36 m <sup>3</sup>	HARMONISED CODE	84198180

## ACCESSORIES

120620	PASTA COOKER BASKETS (2 X GN1/3) - DIM. CM (29X16X20H)
120625	PASTA COOKER BASKET (4 X GN1/6) - DIM. CM (14X14X20H)
120635	PASTA COOKER BASKET (1 X GN2/3) - DIM. CM (29X29X20H)
120652	PASTA COOKER LID (GN2/3)
120660	PASTA COOKER BASKET (1 X GN1/3 + 2 X GN1/6) - DIM. CM (29X16X20H) (14X14X20H)
120700	PASTA COOKER BASKET (2 X GN2/6) - DIM. CM (14.5X29X20H)

INSTALLATION SCHEMES



Data stampa / Print date: 27.01.16

Foglio / Sheet: 1/1

Formato / Format: A3

Scale: 0.150

Modello / Model: DCP35E\_

Colore / Color: 5415.845.00