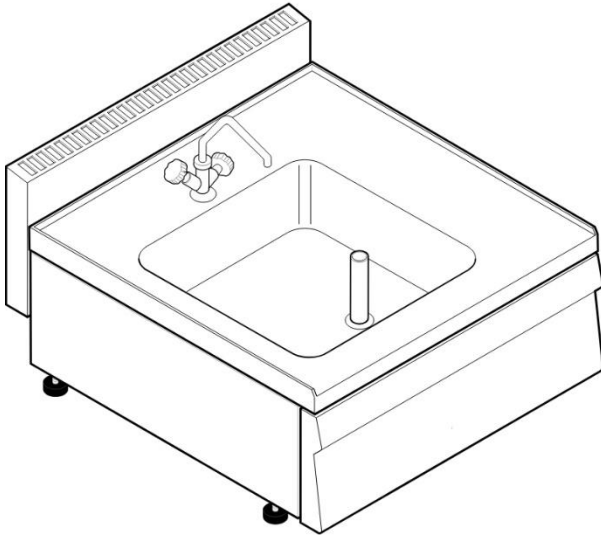

160170

L70/0

TECNO65 SINK WITH TAP - DIM. CM 70X65X28H



- Sink with mixer valve, top version (70x65 cm).
- AISI 304 stainless steel deep drawn tank (40x40x20 cm) seamlessly welded to the AISI 304 stainless steel worktop with Scotch Brite finish.
- Stainless steel control panel and side panels.
- Mixer valve and overflow included. Lever mixer (optional).
- Module coupling system with external side joints.
- Height-adjustable rubberised plastic feet (15-25 mm)

TECHNICAL DATA

| | | | |
|------------------------------|-----------------------|-----------------|-------------|
| TANK CAPACITY | 32lt | TANK DIMENSIONS | 40x40x20 cm |
| WATER CONNECTION DIAMETER | 1/2" | DRAIN DIAMETER | 1" 1/2 |
| WIDTH | 70 cm | DEPTH | 65 cm |
| HEIGHT | 28 cm | PACKAGE WIDTH | 76,0 cm |
| PACKAGE DEPTH | 71,0 cm | PACKAGE HEIGHT | 53,0 cm |
| NET WEIGHT | 17,3000 kg | GROSS WEIGHT | 24,8000 kg |
| VOLUME | 0,2900 m ³ | HARMONISED CODE | 73241090 |

ACCESSORIES

120585 JOINT FOR TECNO60, TECNO65
9024 LEVER MIXER

INSTALLATION SCHEMES



IMMAGINE DA DEFINIRE