
216024

SEF2/2

CLASSIC ELECTRIC SALAMANDER CLOSED ON 3 SIDES (SEF)



- Classic SEF2/2 electric salamander closed on 3 sides.
- 2 independent cooking zones for an overall surface of 62.5x38 cm.
- A salamander is a versatile appliance used for cooking au gratin, keeping ready-to-serve dishes warm, finishing baked dishes like lasagna and flans, as well as grilling and finishing meats such as hamburgers, steaks, sausages, and cutlets.
- Stainless steel structure closed on 3 sides for greater energy savings and faster cooking times.
- Easily removable rear panel to make the salamander accessible from 2 sides, like a pass-through model.
- Heating through Incoloy armoured heating elements on the upper plate.
- Temperature control via energy regulator.
- Removable chrome-plated steel cooking grid and stainless steel grease collection container with heat-resistant handle.
- Height-adjustable (3 levels) cooking grid.
- Rubberised plastic feet.
- Wall installation brackets (optional)

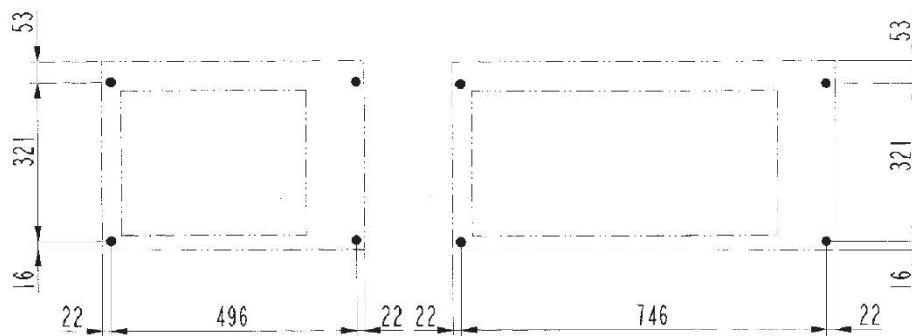
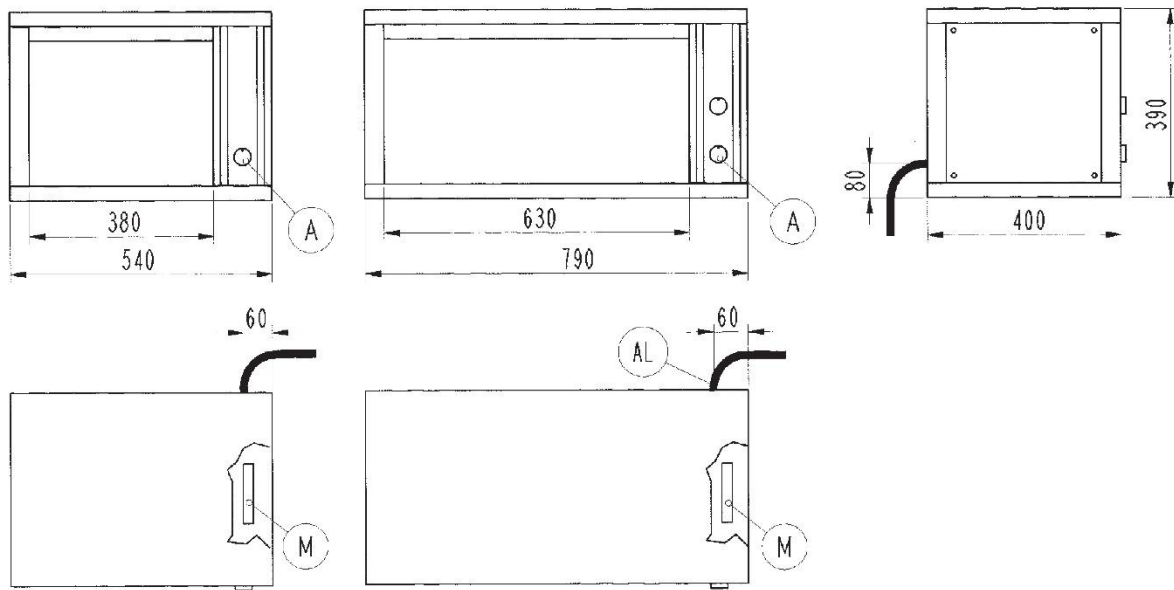
TECHNICAL DATA

| | | | |
|-----------------------------------|------------------------------|----------------------------------|------------|
| TOTAL POWER | 4 kW | ELECTRIC POWER | 4 kW |
| FREQUENCY | 50/60 Hz | VOLTAGE | 230 ~ V |
| GUIDES | n° 3 | HEATING PLATES | n° 1 |
| MINIMUM POWER CABLE CROSS-SECTION | 3 x 2,5 n° - mm ² | COOKING SURFACE | 62,5x38 cm |
| ELECTRIC CABLE TYPE | H07 RN-F | HEATING ZONES | n° 2 |
| ELECTRICAL CONNECTION HEIGHT (H) | 80 mm | ELECTRICAL CONNECTION HEIGHT (X) | 730 mm |
| ELECTRICAL CONNECTION HEIGHT (Y) | 0 mm | IPX RATING | 3 |
| WIDTH | 79 cm | DEPTH | 40 cm |
| HEIGHT | 39 cm | PACKAGE WIDTH | 85,0 cm |
| PACKAGE DEPTH | 48 cm | PACKAGE HEIGHT | 45 cm |
| NET WEIGHT | 21 kg | GROSS WEIGHT | 24 kg |
| VOLUME | 0,1900 m ³ | HARMONISED CODE | 84198180 |

ACCESSORIES

9008 PAIR OF WALL BRACKETS FOR SALAMANDERS (QSEF-SEF)

INSTALLATION SCHEMES



Schema di foratura parete in calcestruzzo per fissaggio staffe
 Schema für Betonwandbohrungen zur Befestigung der Wandhalterungen
 Diagram for drilling cement walls for the fastening of brackets
 Schéma de perçage de la paroi en béton pour fixer les étriers
 Esquema de perforación de la pared de hormigón para fijación soportes

Al = Entrata cavo elettrico | Power supply cable inlet | Netzkabeleingang | Вход электропровода | Entrée câble électrique | Entrada cable eléctrico.

Fig.1 | Abb.1 | рис.1 - 5415.698.00