

**313075**

P85FIG9

## **FREESTANDING GAS BOILING PAN 150L WITH INDIRECT HEATING AND AISI 316 STAINLESS STEEL TANK**



- Gas indirect heat boiling pan with a 150 L capacity tank.
- Indirect heat boiling pans are suitable for cooking dense or gelatinous foods as well as for immersion cooking.
- AISI 304 stainless steel tank walls and AISI 316 bottom (2 mm thick).
- Jacket with pressure gauge, 0.5 bar safety valve and cap for filling distilled water.
- AISI 304 stainless steel 2mm thick worktop and Scotch Brite finish with internal side-by-side joining system.
- AISI 304 stainless steel control panel and side panels.
- Heating through high thermal-efficient stainless steel tubular burners.
- A valved cock tap supplies gas to the burner.
- Temperature control with 3 power levels.
- Piezoelectric ignition.
- Pilot burner and safety thermocouple.
- Stainless steel, hinged, spring-balance lid in all opening positions with heat-resistant handle.
- Mixing tap for hot and cold water, fixed at the worktop rear.
- Chrome-plated brass tank drain valve tap with heat-resistant handle.
- AISI 304 height-adjustable feet (133/195 mm).
- The gas appliances are CE-certified by German body DVGW and have passed the most stringent safety tests.
- The supply of the equipment follows the customer's wishes in terms of nozzles installed, even during the testing phase. The standard configuration is G20 natural gas. In addition, a set of nozzles is supplied should conversion on site be necessary.

---

**TECHNICAL DATA**

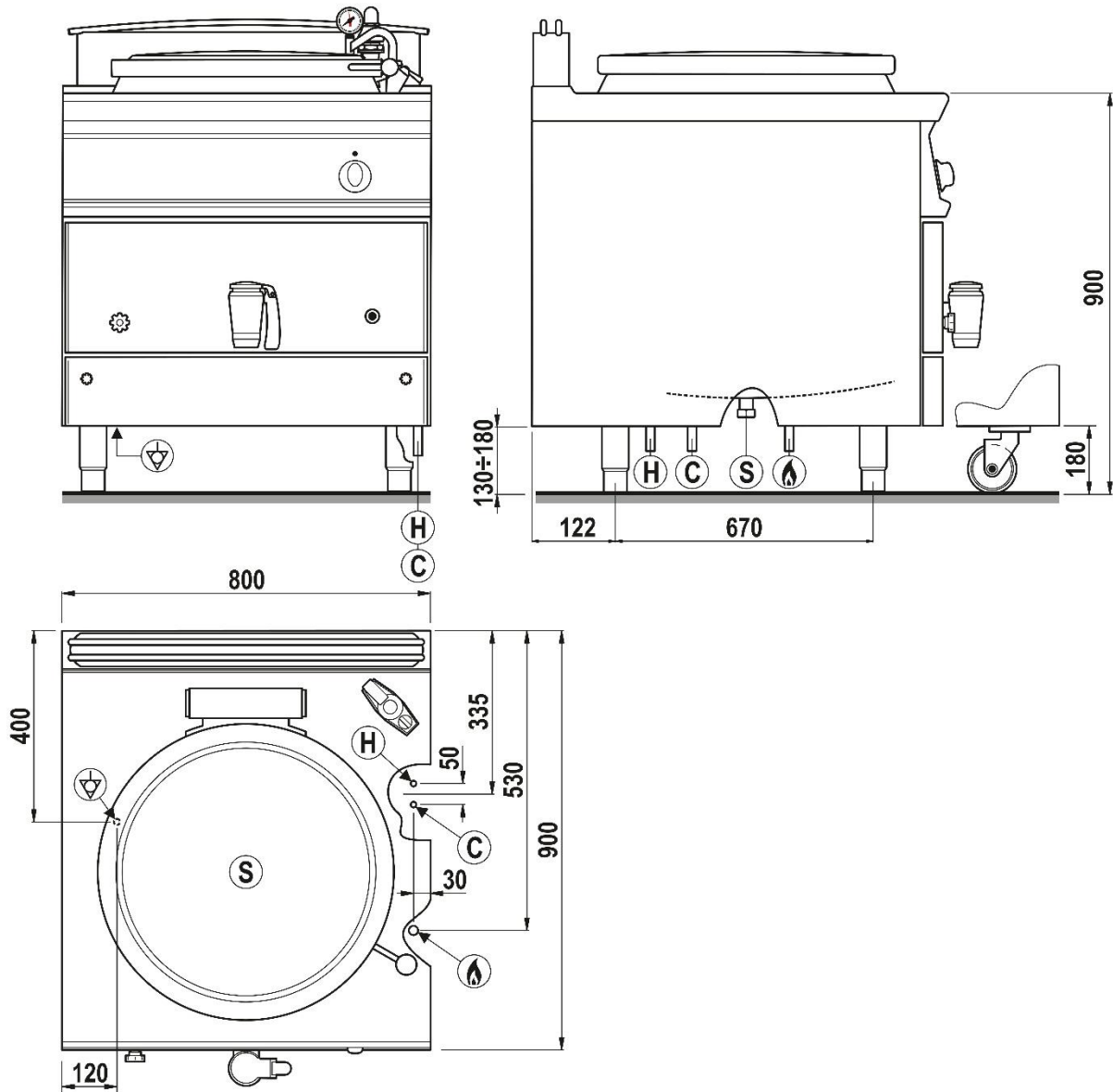
TOTAL POWER	21 kW	GAS POWER	21 kW
TANK CAPACITY	150lt	NATURAL GAS CONSUMPTION	2,22 m <sup>3</sup> /h
TANK DIMENSIONS	Ø60xh54 cm	HEATING	Indirect
TANK TYPE	AISI 316	CE GAS CERTIFICATE NUMBER	CE-0085AU0433
WATER CONNECTION POSITION	Bottom	GAS CONNECTION DIAMETER	1/2"G EN10226-1
WATER CONNECTION DIAMETER	0,393701"	WIDTH	80 cm
DEPTH	90 cm	HEIGHT	90 cm
PACKAGE WIDTH	108 cm	PACKAGE DEPTH	89 cm
PACKAGE HEIGHT	118,5 cm	NET WEIGHT	149,5 kg
GROSS WEIGHT	170,0000 kg	VOLUME	1,13 m <sup>3</sup>
HARMONISED CODE	84198180	LPG CONSUMPTION	1.65 m <sup>3</sup> /h

---

**ACCESSORIES**

- 399513 DOUBLE PASTA BASKET FOR 150L BOILING PAN - 3MM HOLE DIAMETER - 0.12 IN
- 399514 DOUBLE BASKET FOR VEGETABLES FOR BOILING PAN 150LT - HOLES DIAMETER 5MM - 0.20 INCH
- 399573 PAIR OF CLOSING ELEMENTS FOR BASES AND WORKTOPS (L=90CM)
- 399576 AUTOMATIC DOUBLE-JACKET WATER CHARGE+ELECTRIC IGNITION

INSTALLATION SCHEMES



- ⚡ EN 10226-1 R 1/2 – EN ISO 228-1 G 1/2 (DK) Gas inlet
- ⚡ Equipotential connection
- H: Hot water inlet Ø10 mm
- C: Cold water inlet Ø10 mm
- S: Cavity discharge (closed)

Fig.1 | Abb.1 | рис.1 - 09.04.2021 - 5415.644.00