

**313076**

P81FDG9

## **FREESTANDING GAS BOILING PAN 100L WITH DIRECT HEATING AND AISI 316 STAINLESS STEEL TANK**



- Gas direct heat boiling pan with a 100 L capacity tank.
- Direct heat boiling pans are suitable for boiling and immersion cooking.
- AISI 304 stainless steel tank walls (1.5 mm thick) and AISI 316 bottom (2 mm thick).
- AISI 304 stainless steel 2mm thick worktop and Scotch Brite finish with internal side-by-side joining system.
- AISI 304 stainless steel control panel and side panels.
- Heating through high thermal-efficient stainless steel tubular burners.
- A valved cock tap supplies gas to the burner.
- Temperature control with 3 power levels.
- Piezoelectric ignition.
- Pilot burner and safety thermocouple.
- Stainless steel, hinged, spring-balance lid in all opening positions with heat-resistant handle.
- Mixing tap for hot and cold water, fixed at the worktop rear.
- Chrome-plated brass tank drain valve tap with heat-resistant handle.
- AISI 304 height-adjustable feet (133/195 mm).
- The gas appliances are CE-certified by German body DVGW and have passed the most stringent safety tests.
- The supply of the equipment follows the customer's wishes in terms of nozzles installed, even during the testing phase. The standard configuration is G20 natural gas. In addition, a set of nozzles is supplied should conversion on site be necessary.

---

**TECHNICAL DATA**

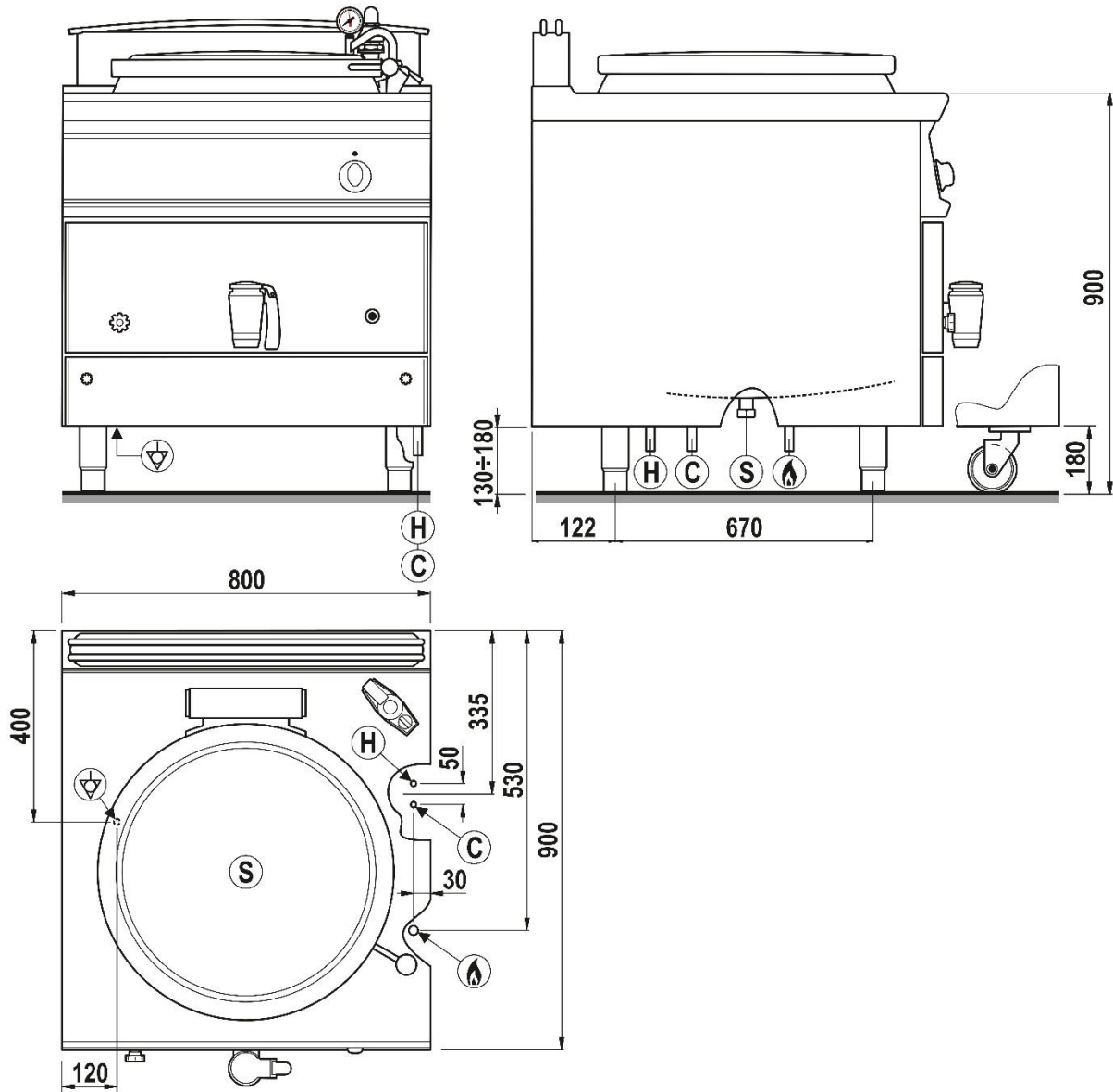
TOTAL POWER	21 kW	GAS POWER	21 kW
TANK CAPACITY	100lt	NATURAL GAS CONSUMPTION	2,22 m <sup>3</sup> /h
TANK DIMENSIONS	Ø60xh41,5 cm	HEATING	Direct
TANK TYPE	AISI 316	CE GAS CERTIFICATE NUMBER	CE-0085AU0433
WATER CONNECTION POSITION	Bottom	GAS CONNECTION DIAMETER	1/2"G EN10226-1
WATER CONNECTION DIAMETER	0,393701"	IPX RATING	4
WIDTH	80 cm	DEPTH	90 cm
HEIGHT	90 cm	PACKAGE WIDTH	105 cm
PACKAGE DEPTH	87,0 cm	PACKAGE HEIGHT	118 cm
NET WEIGHT	119 kg	GROSS WEIGHT	139 kg
VOLUME	1,08 m <sup>3</sup>	HARMONISED CODE	84198180
LPG CONSUMPTION	1.65 m <sup>3</sup> /h		

---

**ACCESSORIES**

- 399511 DOUBLE PASTA BASKET FOR 100L BOILING PAN - 3MM HOLE DIAMETER - 0.12 IN
- 399512 DOUBLE BASKET FOR VEGETABLES FOR 100LT BOILING PAN - HOLES DIAMETER 5MM - 0.20 INCH
- 399573 PAIR OF CLOSING ELEMENTS FOR BASES AND WORKTOPS (L=90CM)

INSTALLATION SCHEMES



- ⚡ EN 10226-1 R 1/2 – EN ISO 228-1 G 1/2 (DK) Gas inlet
- ⚡ Equipotential connection
- H: Hot water inlet Ø10 mm
- C: Cold water inlet Ø10 mm
- S: Cavity discharge (closed)

Fig.1 | Abb.1 | рис.1 - 09.04.2021 - 5415.644.00