

313077

P85FDG9

FREESTANDING GAS BOILING PAN 150L WITH DIRECT HEATING AND AISI 316 STAINLESS STEEL TANK



- Gas direct heat boiling pan with a 150 L capacity tank.
- AISI 304 stainless steel tank walls (1.5 mm thick) and AISI 316 bottom (2 mm thick).
- Direct heat boiling pans are suitable for boiling and immersion cooking.
- AISI 304 stainless steel 2mm thick worktop and Scotch Brite finish with internal side-by-side joining system.
- AISI 304 stainless steel control panel and side panels.
- Heating through high thermal-efficient stainless steel tubular burners.
- A valved cock tap supplies gas to the burner.
- Temperature control with 3 power levels.
- Piezoelectric ignition.
- Pilot burner and safety thermocouple.
- Stainless steel, hinged, spring-balance lid in all opening positions with heat-resistant handle.
- Mixing tap for hot and cold water, fixed at the worktop rear.
- Chrome-plated brass tank drain valve tap with heat-resistant handle.
- AISI 304 height-adjustable feet (133/195 mm).
- The gas appliances are CE-certified by German body DVGW and have passed the most stringent safety tests.
- The supply of the equipment follows the customer's wishes in terms of nozzles installed, even during the testing phase. The standard configuration is G20 natural gas. In addition, a set of nozzles is supplied should conversion on site be necessary.

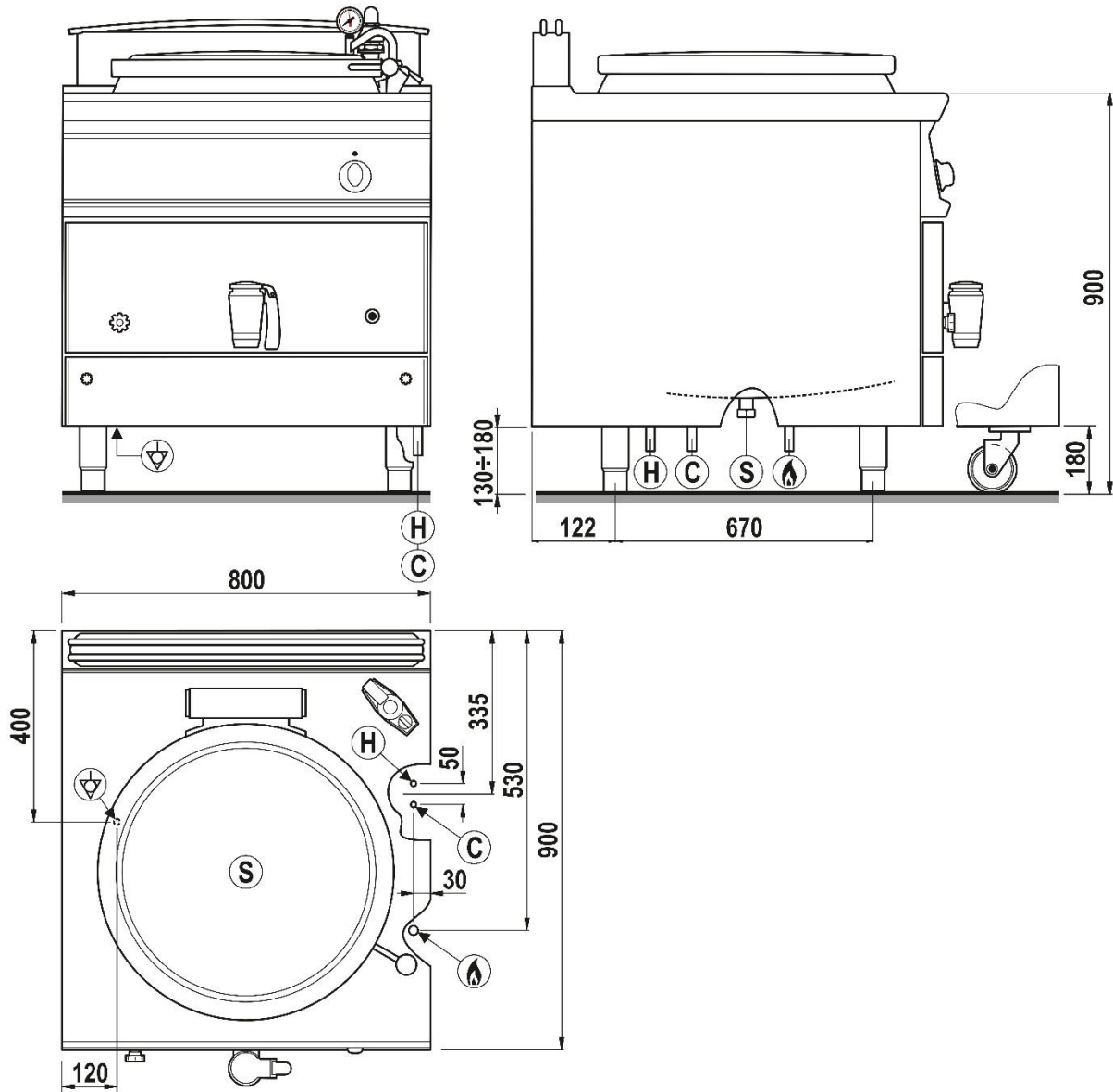
TECHNICAL DATA

| | | | |
|---------------------------|------------------------|---------------------------|------------------------|
| TOTAL POWER | 21 kW | GAS POWER | 21 kW |
| TANK CAPACITY | 150lt | NATURAL GAS CONSUMPTION | 2,22 m ³ /h |
| TANK DIMENSIONS | Ø60xh54 cm | HEATING | Direct |
| TANK TYPE | AISI 316 | CE GAS CERTIFICATE NUMBER | CE-0085AU0433 |
| WATER CONNECTION POSITION | Bottom | GAS CONNECTION DIAMETER | 1/2"G EN10226-1 |
| WATER CONNECTION DIAMETER | 0,393701" | IPX RATING | 4 |
| WIDTH | 80 cm | DEPTH | 90 cm |
| HEIGHT | 90 cm | PACKAGE WIDTH | 106 cm |
| PACKAGE DEPTH | 86 cm | PACKAGE HEIGHT | 116 cm |
| NET WEIGHT | 122 kg | GROSS WEIGHT | 145 kg |
| VOLUME | 1,05 m ³ | HARMONISED CODE | 84198180 |
| LPG CONSUMPTION | 1.65 m ³ /h | | |

ACCESSORIES

- 399513 DOUBLE PASTA BASKET FOR 150L BOILING PAN - 3MM HOLE DIAMETER - 0.12 IN
- 399514 DOUBLE BASKET FOR VEGETABLES FOR BOILING PAN 150LT - HOLES DIAMETER 5MM - 0.20 INCH
- 399573 PAIR OF CLOSING ELEMENTS FOR BASES AND WORKTOPS (L=90CM)

INSTALLATION SCHEMES



- ⚡ EN 10226-1 R 1/2 – EN ISO 228-1 G 1/2 (DK) Gas inlet
- ⚡ Equipotential connection
- H: Hot water inlet Ø10 mm
- C: Cold water inlet Ø10 mm
- S: Cavity discharge (closed)

Fig.1 | Abb.1 | рис.1 - 09.04.2021 - 5415.644.00