

613039

BS80IG7

FREESTANDING TILTING GAS BRATT PAN 50 L WITH AISI304 STAINLESS STEEL TANK



- Freestanding tilting gas bratt pan (50 l), 80x70 cm module. Manual tank lifting.
- Stainless steel control panel, side and back panels.
- Module coupling system with external side joints.
- The bratt pan is intended to braise and prepare stews, sauces, risottos, pan-fried vegetables and cooking with minimal liquid. Use as a fryer is not allowed.
- AISI 304 tilting tank with a 12 mm bottom and 2 mm walls.
- Heating through a multi-branch stainless steel 12 kW tubular burner.
- Thermostatic valve with positions from 0 to 7.
- Thermostatic regulation 0-300°C.
- Piezoelectric ignition.
- Pilot burner and safety thermocouple.
- Micro safety switch on the lifting mechanism: when the tank is lifted the burner switches off, leaving the pilot burner active.
- AISI 304 stainless steel lid with integrated handle and hinge.
- Water filling control on the front panel.
- Rear water dispenser, outside the tank.
- AISI 304 height-adjustable feet (133/195 mm).
- Gas appliances are CE-certified by German body DVGW and have passed the most stringent safety tests.
- The equipment is delivered in accordance with the customer's specifications in terms of installed nozzles, even during testing. G20 natural gas is the standard configuration. In addition, spare nozzles are included should conversion be necessary on site.

TECHNICAL DATA

TOTAL POWER	12 kW	GAS POWER	12 kW
TEMPERATURE RANGE	100÷300 °C	TANK CAPACITY	50 lt
NATURAL GAS CONSUMPTION	1,26 m³/h	TANK DIMENSIONS	70x46,5x20 cm
TANK BOTTOM THICKNESS	10 mm	DRAINING THE TANK	Manual tipping
TANK TYPE	AISI 304	CE GAS CERTIFICATE NUMBER	CE-0085AU0441
WATER CONNECTION POSITION	Bottom	GAS CONNECTION DIAMETER	1/2"G EN10226-1
WATER CONNECTION DIAMETER	0,472441"	IPX RATING	4
WIDTH	80 cm	DEPTH	70 cm
HEIGHT	85 cm	PACKAGE WIDTH	82 cm
PACKAGE DEPTH	86 cm	PACKAGE HEIGHT	117 cm
NET WEIGHT	113 kg	GROSS WEIGHT	133 kg
VOLUME	0,82 m³	HARMONISED CODE	84198180
LPG CONSUMPTION	0.95 m³/h		

ACCESSORIES

220585 JOINT
BSM_7 INCREASED VERSIONS WITH MOTORISED LIFTING MECHANISM FOR THE BS_7 MODEL ONLY

INSTALLATION SCHEMES

(IN)
 Collegamento acqua
 Water connection
 Wasseranschluss
 Connexion eau
 Conexión agua

(H)
 Collegamento gas
 Gas connection
 Gasanschluss
 Connexion gaz
 Conexión gas

(⚡)
 Collegamento elettrico
 Electric connection
 Elektrische Verbindung
 Connexion électrique
 Conexión eléctrica

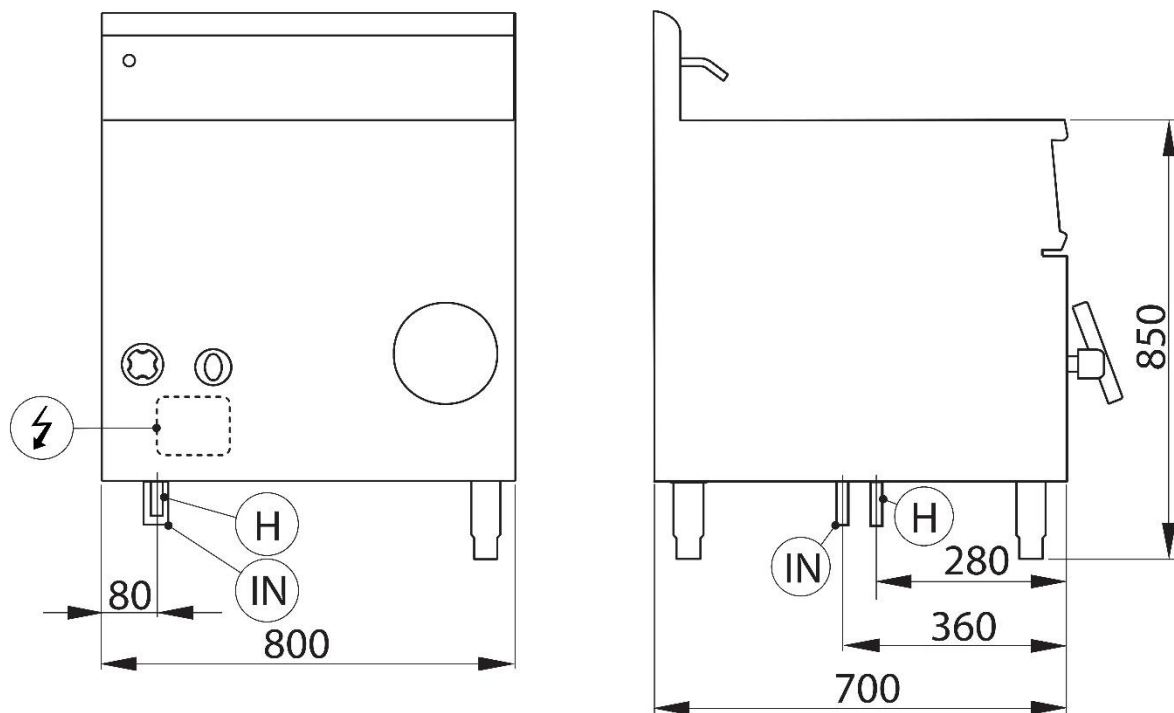


Fig.1 | Abb.1 | рис.1 - 5415.669.00