

616048

BS80IE7

**FREESTANDING TILTING ELECTRIC BRATT PAN 50L
WITH AN AISI 304 STAINLESS STEEL TANK ON
CLOSED CABINET**



- Freestanding tilting electric bratt pan (50 l), 80x70 cm module. Manual tank lifting.
- Stainless steel control panel, side and back panels.
- Module coupling system with external side joints.
- The bratt pan is intended to braise and prepare stews, sauces, risottos, pan-fried vegetables and cooking with minimal liquid. Use as a fryer is not allowed.
- Armoured heating elements in Incoloy alloy.
- AISI 304 tilting tank with a 12 mm bottom and 2 mm walls.
- Thermostatic control 0-295°C
- Green lamp indicating the presence of voltage and orange light indicating heating element operation.
- Safety thermostat automatically cuts the mains power in the presence of a fault.
- Micro safety switch on the lifting mechanism: lifting the tank disconnects power from the heating elements.
- AISI 304 stainless steel lid with integrated handle and hinge.
- Water filling control on the front panel.
- Rear water dispenser, outside the tank.
- AISI 304 height-adjustable feet (133/195 mm).

TECHNICAL DATA

TOTAL POWER	8,7 kW	ELECTRIC POWER	8,7 kW
FREQUENCY	50/60 Hz	VOLTAGE	400 3N ~ V
TEMPERATURE RANGE	45÷300 °C	TANK CAPACITY	50t
TANK DIMENSIONS	70x46,5x20 cm	MINIMUM POWER CABLE CROSS-SECTION	5 x 2,5 n° - mm ²
TANK BOTTOM THICKNESS	10 mm	DRAINING THE TANK	Manual tipping
ELECTRIC CABLE TYPE	H07 RN-F	TANK TYPE	AISI 304
WATER CONNECTION POSITION	Bottom	WATER CONNECTION DIAMETER	0,472441"
IPX RATING	4	WIDTH	80 cm
DEPTH	70 cm	HEIGHT	85 cm
PACKAGE WIDTH	96,0 cm	PACKAGE DEPTH	87,0 cm
PACKAGE HEIGHT	115,0 cm	NET WEIGHT	122,0000 kg
GROSS WEIGHT	142,0000 kg	VOLUME	0,9600 m ³
HARMONISED CODE	84198180		

ACCESSORIES

220585 JOINT
BSM_7 INCREASED VERSIONS WITH MOTORISED LIFTING MECHANISM FOR THE BS_7 MODEL ONLY

INSTALLATION SCHEMES

(IN)
 Collegamento acqua
 Water connection
 Wasseranschluss
 Connexion eau
 Conexión agua

(H)
 Collegamento gas
 Gas connection
 Gasanschluss
 Connexion gaz
 Conexión gas

(⚡)
 Collegamento elettrico
 Electric connection
 Elektrische Verbindung
 Connexion électrique
 Conexión eléctrica

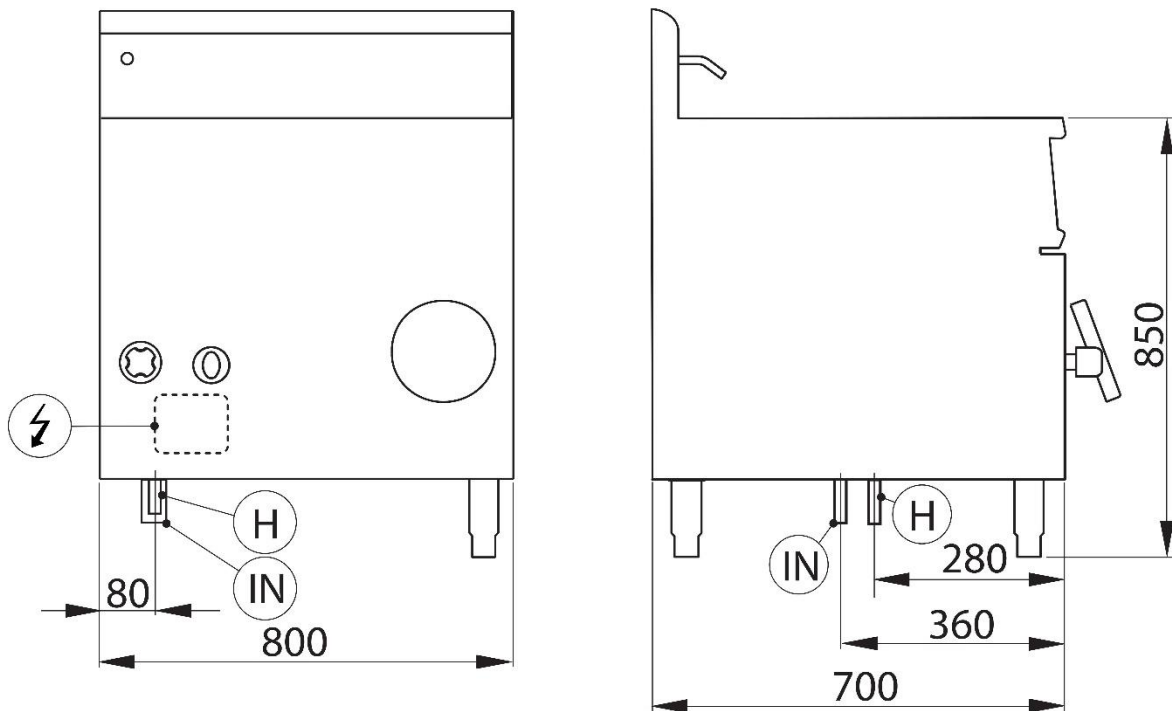


Fig.1 | Abb.1 | рис.1 - 5415.669.00