
616106

FTL35BE7

ELECTRIC GRIDDLE WITH BRUSHED, CHROME-PLATED SMOOTH PLATE (TOP VERSION)



- Electric griddle (35 cm top version) with a brushed, chrome-plated smooth cooking plate to cook a variety of products, from meat to fish and vegetables.
- Horizontal cooking plate (12 cm thick).
- Grooving with a cap and removable drawer for collecting grease and liquids.
- The anti-scratch cooking plate ensures resistance to scratches and corrosion, while the striping enhances product grilling.
- The non-stick plate ensures quick and effortless cleaning, prevents oxidation, and eliminates any flavour transfer.
- The chrome-plated surface ensures less energy consumption and heat dispersion.
- Height-adjustable rubberised plastic feet (15-25 mm).
- Scraper included.
- Chrome-plated griddles comply with EU Regulation 1935/2004 concerning food contact materials and articles which are intended to come into contact with food.
- Stainless steel control panel, side and back panels.
- Module coupling system with external side joints.
- Appliances intended for direct cooking.
- Cooking plate hermetically sealed to the worktop.
- Heating through stainless steel armoured heating elements.
- Operating thermostatic valve with temperature control ranging between 70°C and 300°C.
- Fitted with a safety thermostat that triggers in case of abnormal operation.
- Removable splashback on 3 sides included.
- Technical compartment for easy connection to the electrical network.

TECHNICAL DATA

TOTAL POWER	3,9 kW	ELECTRIC POWER	3,9 kW
FREQUENCY	50/60 Hz	VOLTAGE	380-415 3N~ V
TEMPERATURE RANGE	50÷320 °C	MINIMUM POWER CABLE CROSS-SECTION	5 x 1,5 n° - mm ²
COOKING SURFACE	34,6x56,4 cm	ELECTRIC CABLE TYPE	H07 RN-F
PLATE TYPE	Brushed chrome-plated - smooth	HEATING ZONES	n° 1
ELECTRICAL CONNECTION HEIGHT (Y)	-78 mm	FOOT HEIGHT	15 mm
FOOT ADJUSTMENT	15/25 mm	IPX RATING	4
WIDTH	35 cm	DEPTH	70 cm
HEIGHT	28 cm	PACKAGE WIDTH	79,0 cm
PACKAGE DEPTH	41,0 cm	PACKAGE HEIGHT	55 cm
NET WEIGHT	34 kg	GROSS WEIGHT	40 kg
VOLUME	0,18 m ³	HARMONISED CODE	84198180
LATENT HEAT RELEASE	1560.0 W	SENSIBLE HEAT RELEASE	1287.0 W
STEAM RELEASE	2293.2 g/h		

ACCESSORIES

- 120595 GRIDDLE-CLEANING SCRAPER
- 120597 SCRAPER - SPARE BLADE KIT (10 PCS)
- 619005 PAIR OF JOINTS FOR GRIDDLES

INSTALLATION SCHEMES

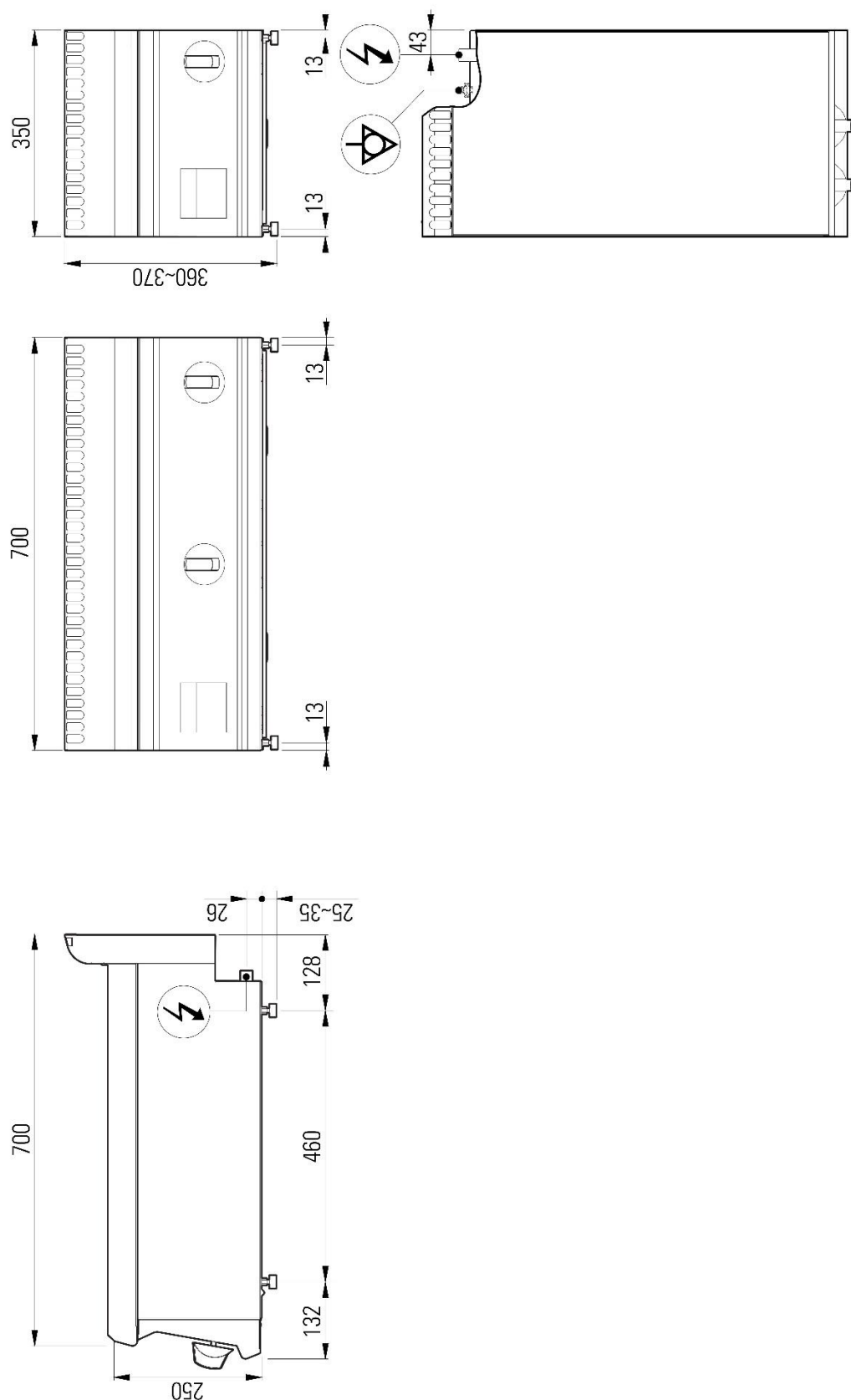


Fig.1 | Abb.1 | рис.1 - 5416.162.00