

---

**616110****FTRR70BE7****ELECTRIC GRIDDLE WITH BRUSHED, CHROME-PLATED, RIBBED PLATE (TOP VERSION)**

---



- Electric griddle (70 cm top version) with a brushed, chrome-plated, ribbed cooking plate to cook a variety of products, from meat to fish and vegetables.
- Horizontal cooking plate (12 cm thick), 2 independent work areas.
- Grooving with a cap and removable drawer for collecting grease and liquids.
- The anti-scratch cooking plate ensures resistance to scratches and corrosion, while the striping enhances product grilling.
- The non-stick plate ensures quick and effortless cleaning, prevents oxidation, and eliminates any flavour transfer.
- The chrome-plated surface ensures less energy consumption and heat dispersion.
- Height-adjustable rubberised plastic feet (15-25 mm).
- Chrome-plated griddles comply with EU Regulation 1935/2004 concerning food contact materials and articles which are intended to come into contact with food.
- Stainless steel control panel, side and back panels.
- Module coupling system with external side joints.
- Appliances intended for direct cooking.
- Cooking plate hermetically sealed to the worktop.
- Heating through stainless steel armoured heating elements.
- Operating thermostatic valve with temperature control ranging between 70°C and 300°C.
- Fitted with a safety thermostat that triggers in case of abnormal operation.
- Removable splashback on 3 sides included.
- Technical compartment for easy connection to the electrical network.

## TECHNICAL DATA

TOTAL POWER	7,8 kW	ELECTRIC POWER	7,8 kW
FREQUENCY	50/60 Hz	VOLTAGE	380-415 3N~ V
TEMPERATURE RANGE	50÷320 °C	MINIMUM POWER CABLE CROSS-SECTION	5 x 1,5 n° - mm <sup>2</sup>
COOKING SURFACE	69,6x56,4 cm	ELECTRIC CABLE TYPE	H07 RN-F
PLATE TYPE	Brushed chrome-plated - ribbed	HEATING ZONES	n° 2
ELECTRICAL CONNECTION HEIGHT (H)	26 mm	ELECTRICAL CONNECTION HEIGHT (X)	657 mm
ELECTRICAL CONNECTION HEIGHT (Y)	-78 mm	FOOT HEIGHT	15 mm
FOOT ADJUSTMENT	15/25 mm	IPX RATING	4
WIDTH	70 cm	DEPTH	70 cm
HEIGHT	28 cm	PACKAGE WIDTH	77,0 cm
PACKAGE DEPTH	81,0 cm	PACKAGE HEIGHT	53,0 cm
NET WEIGHT	65,6000 kg	GROSS WEIGHT	73,0000 kg
VOLUME	0,3300 m <sup>3</sup>	HARMONISED CODE	84198180
LATENT HEAT RELEASE	3120.0 W	SENSIBLE HEAT RELEASE	2574.0 W
STEAM RELEASE	4586.4 g/h		

## ACCESSORIES

120595	GRIDDLE-CLEANING SCRAPER
120597	SCRAPER - SPARE BLADE KIT (10 PCS)
619005	PAIR OF JOINTS FOR GRIDDLES

INSTALLATION SCHEMES

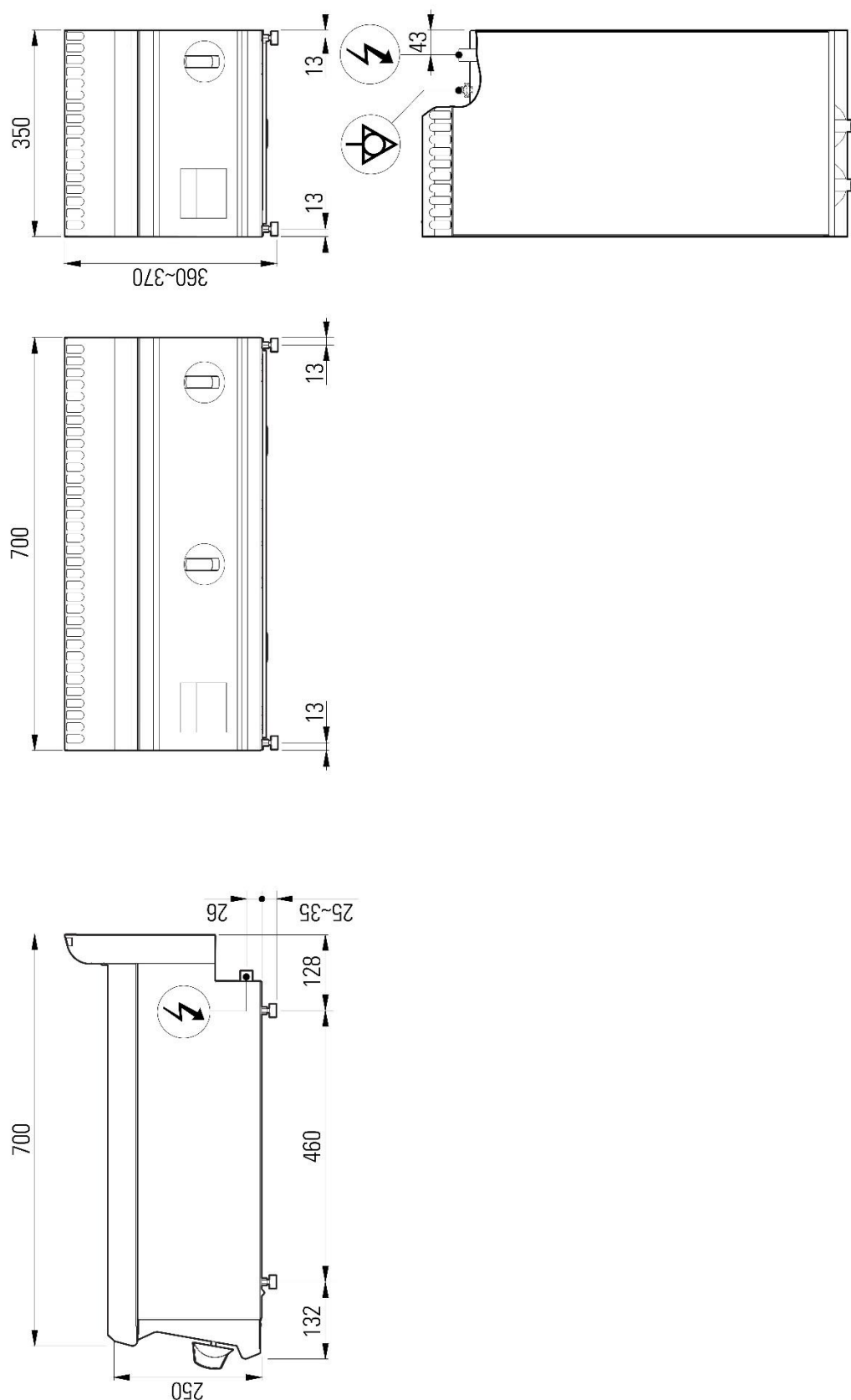


Fig.1 | Abb.1 | рис.1 - 5416.162.00