

---

**713049**

GD4FG7

**FREESTANDING GAS GRILL WITH WATER AND  
CAST IRON GRID ON CLOSED CABINET**

---



- Freestanding gas grill with water on a closed cabinet (40 cm).
- Power: 8 kW.
- AISI 304 stainless steel worktop and Scotch Brite finish with internal side-by-side joining system.
- AISI 304 stainless steel control panel and side panels.

## TECHNICAL DATA

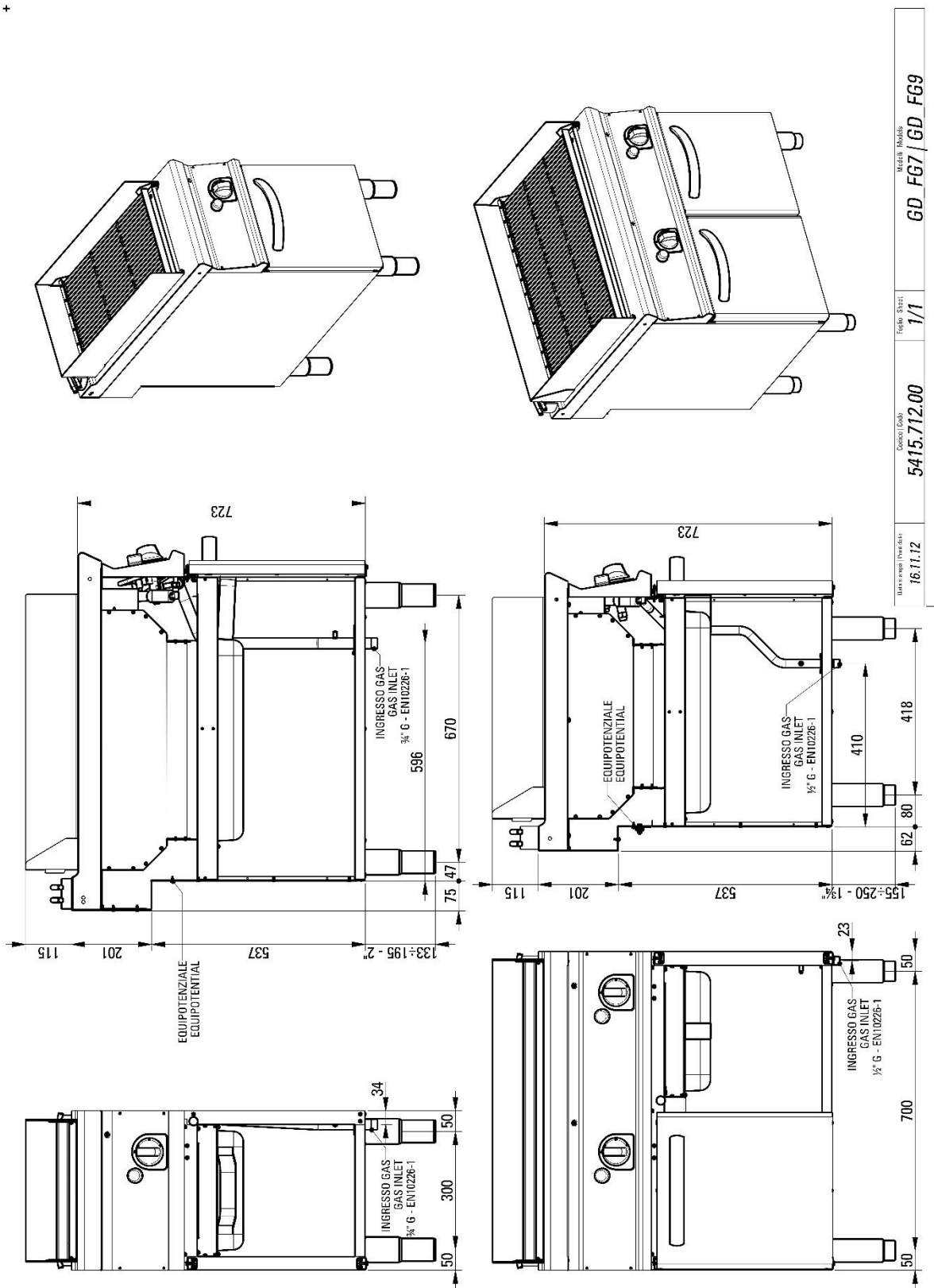
TOTAL POWER	8 kW	GAS POWER	8 kW
NATURAL GAS CONSUMPTION	0,84 m <sup>3</sup> /h	COOKING SURFACE	33x45 cm
GRID TYPE	Cast iron	CE GAS CERTIFICATE NUMBER	CE-0085BO0098
GAS CONNECTION DIAMETER	1/2"G EN10226-1	GAS CONNECTION HEIGHT (H)	0 mm
GAS CONNECTION HEIGHT (X)	366 mm	GAS CONNECTION HEIGHT (Y)	-472 mm
FOOT HEIGHT	155 mm	FOOT ADJUSTMENT	155/250 mm
WIDTH	40 cm	DEPTH	70 cm
HEIGHT	90 cm	PACKAGE WIDTH	81,0 cm
PACKAGE DEPTH	47,0 cm	PACKAGE HEIGHT	116 cm
NET WEIGHT	52,0000 kg	GROSS WEIGHT	67,0000 kg
VOLUME	0,44 m <sup>3</sup>	HARMONISED CODE	84198180
LPG CONSUMPTION	0.63 m <sup>3</sup> /h	LATENT HEAT RELEASE	1600.0 W
SENSIBLE HEAT RELEASE	5760.0 W	STEAM RELEASE	2352.0 g/h

## ACCESSORIES

- 719004 TECNO74 REAR COVERING PANEL FOR FREESTANDING ELEMENTS (L=40CM)
- 799503 SIDE COVERING PANEL FOR FREESTANDING MODULE
- 799506 PAIR OF CLOSING ELEMENTS (L=70CM)

INSTALLATION SCHEMES

+



Model	GD FG7 / GD FG9
Sheet	1/1
Code	5415.712.00
Date	16.11.12