
713050

GD8FG7

**FREESTANDING GAS GRILL WITH WATER AND
CAST IRON GRID ON CLOSED CABINET**



- Freestanding gas grill with water on a closed cabinet (80 cm).
- 2 independent cooking zones.
- Power: 2x8 kW.
- AISI 304 stainless steel worktop and Scotch Brite finish with internal side-by-side joining system.
- AISI 304 stainless steel control panel and side panels.

TECHNICAL DATA

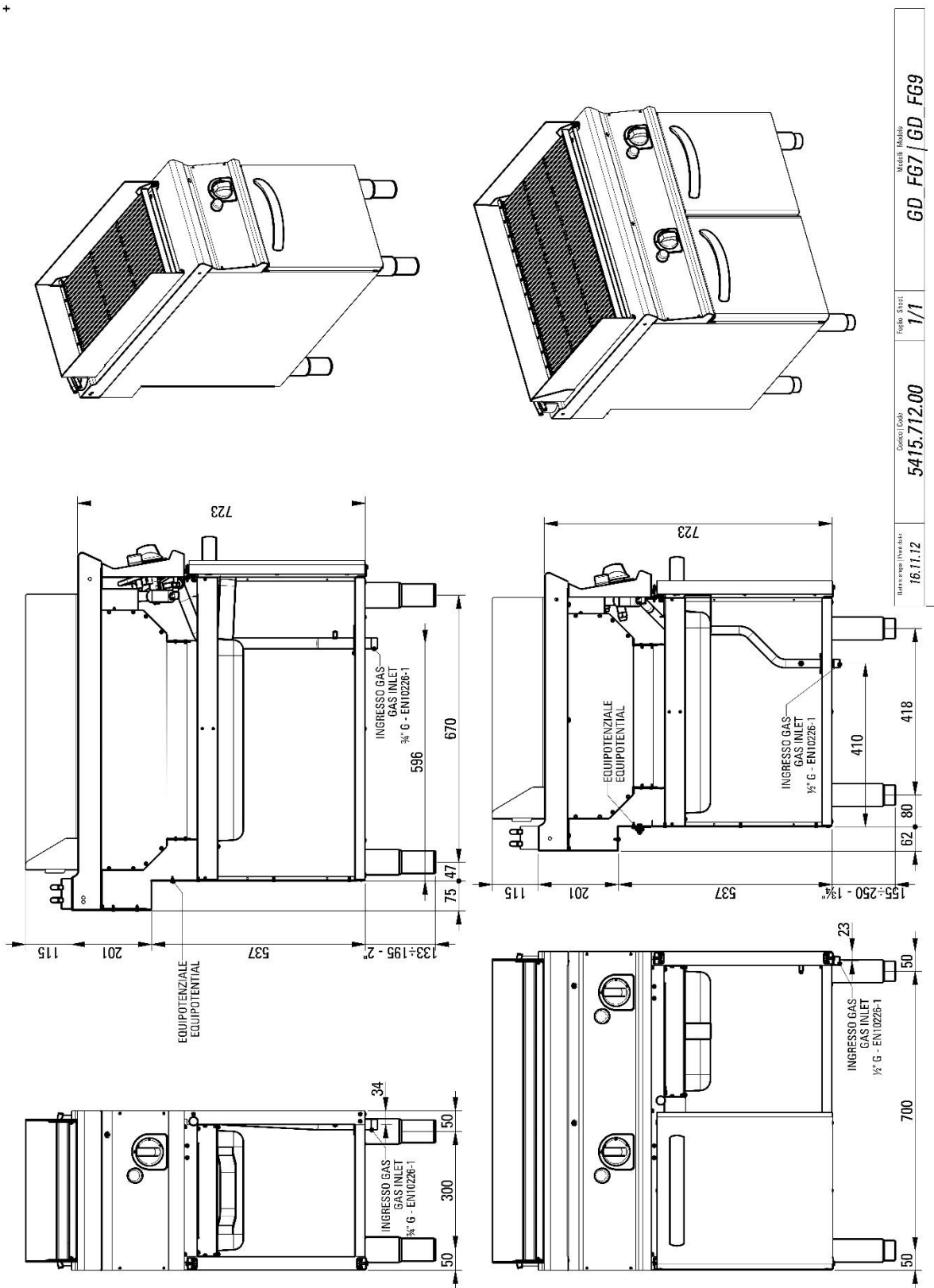
TOTAL POWER	16 kW	GAS POWER	16 kW
NATURAL GAS CONSUMPTION	1,69 m ³ /h	COOKING SURFACE	72x45 cm
GRID TYPE	Cast iron	CE GAS CERTIFICATE NUMBER	CE-0085BO0098
GAS CONNECTION DIAMETER	1/2"G EN10226-1	GAS CONNECTION HEIGHT (H)	0 mm
GAS CONNECTION HEIGHT (X)	777 mm	GAS CONNECTION HEIGHT (Y)	-472 mm
FOOT HEIGHT	155 mm	FOOT ADJUSTMENT	155/250 mm
WIDTH	80 cm	DEPTH	70 cm
HEIGHT	90 cm	PACKAGE WIDTH	85,0 cm
PACKAGE DEPTH	82,0 cm	PACKAGE HEIGHT	114,0 cm
NET WEIGHT	91,5000 kg	GROSS WEIGHT	108 kg
VOLUME	0,7900 m ³	HARMONISED CODE	84198180
LPG CONSUMPTION	1.26 m ³ /h	LATENT HEAT RELEASE	3200.0 W
SENSIBLE HEAT RELEASE	11520.0 W	STEAM RELEASE	4704.0 g/h

ACCESSORIES

- 719005 TECNO74 REAR COVERING PANEL FOR FREESTANDING ELEMENTS (L=80CM)
- 799503 SIDE COVERING PANEL FOR FREESTANDING MODULE
- 799506 PAIR OF CLOSING ELEMENTS (L=70CM)

INSTALLATION SCHEMES

+



Modello	GD FG7 / GD FG9
Versione	1/1
Prezzo	5415.712.00
Versione	16.11.12