

713057

CP8FG7

GN2/3 FREESTANDING DOUBLE TANK 24+24L GAS PASTA COOKER WITH DOUBLE TANK (24+24 L) ON CLOSED CABINET - BASKETS NOT INCLUDED



- Freestanding GN2/3 gas pasta cooker 24+24 L with 2 tanks on a closed cabinet (80 cm).
- Power: 2x10 kW.
- AISI 304 stainless steel worktop and Scotch Brite finish with internal side-by-side joining system.
- AISI 304 stainless steel control panel and side panels.
- Pasta cookers are used to boil rice, vegetables, meat and other products.
- Pressed worktop with a seamlessly welded pressed cooking tank, featuring rounded corners, overflow-proof tank and large foam expansion area.
- Deep drawn worktop with a seamlessly welded deep drawn pressed cooking tank, featuring rounded corners, overflow-proof tank and large foam expansion area.
- AISI 316 stainless steel tank, outlet pipe drainpipe, and false bottom for long-lasting resistance against salt corrosion.
- Water filling control inside the compartment cabinet.
- Heating through a 10 kW tubular burner outside the tank.
- Valved gas cock.
- Piezoelectric ignition.
- Pilot burner and safety thermocouple.
- Safety thermostat to protect the tank against ignition without water or excessive evaporation.
- Water dispenser on the worktop rear. at the rear of the worktop.
- Overflow for draining starch on the tank front. Overflow for starch draining in the front part of the tank.
- Bottom drain.
- Technical compartment for easy connection to the gas network.
- Baskets not included.
- AISI 304 stainless steel height-adjustable feet (133/195 mm).
- The gas appliances are CE-certified by German body DVGW and have passed the most stringent safety tests
- The supply of the equipment follows the customer's wishes in terms of nozzles installed, even during the testing phase. The standard configuration is G20 natural gas. In addition, a set of nozzles is supplied should conversion on site be necessary.

TECHNICAL DATA

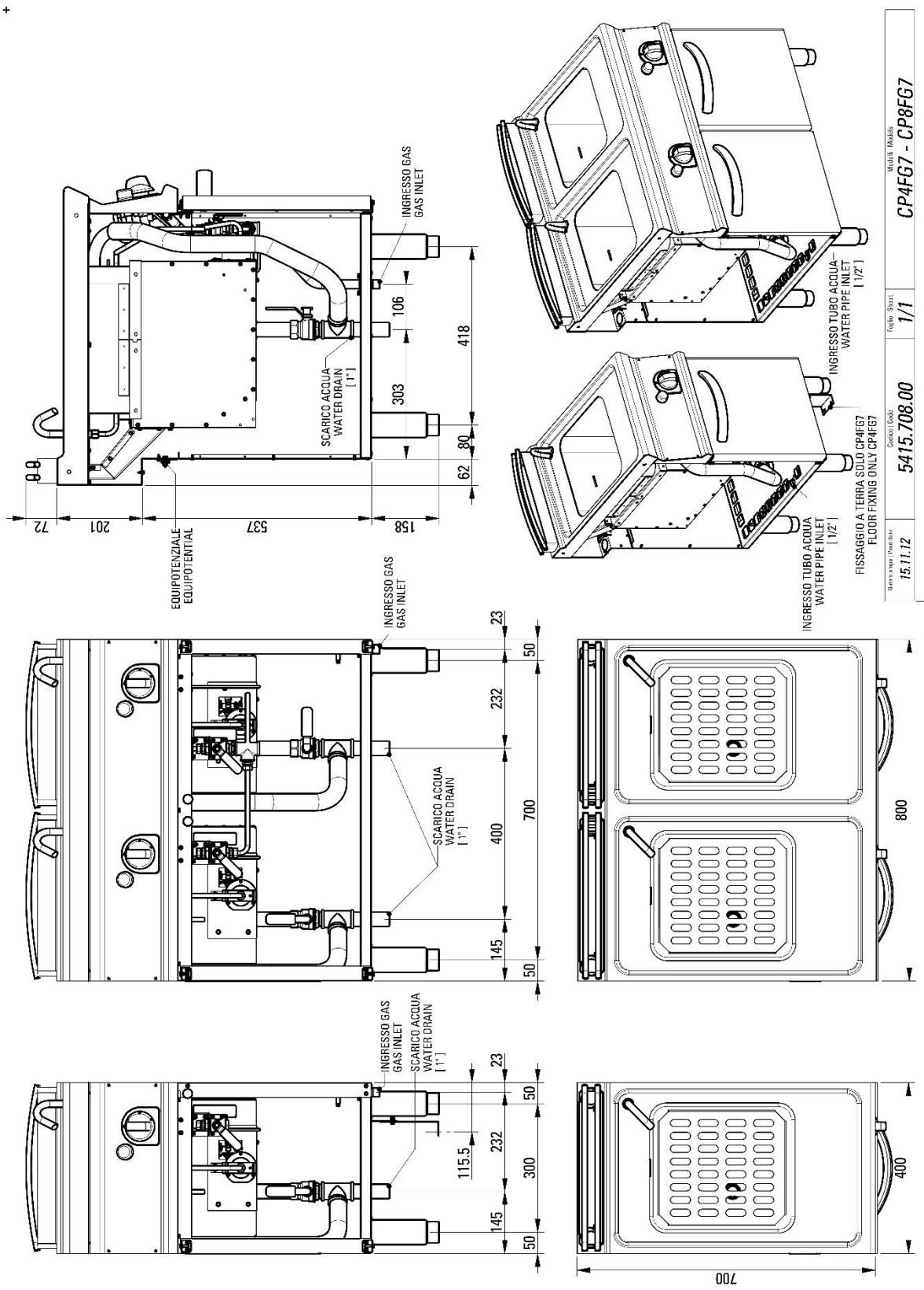
TOTAL POWER	20 kW	GAS POWER	20 kW
TANK CAPACITY	24lt+24lt	LOADING WATER	Water inlet on the worktop
NATURAL GAS CONSUMPTION	2,1 m³/h	TANK DIMENSIONS	30,5x34,1x30,3 cm
TANK TYPE	AISI 316	CE GAS CERTIFICATE NUMBER	CE-0085B00097
WATER CONNECTION POSITION	Bottom	WATER DRAIN POSITION	Bottom
GAS CONNECTION DIAMETER	1/2"G EN10226-1	GAS CONNECTION HEIGHT (H)	0 mm
GAS CONNECTION HEIGHT (X)	777 mm	GAS CONNECTION HEIGHT (Y)	-471 mm
WATER CONNECTION DIAMETER	1/2"	DRAIN DIAMETER	1"
DRAIN CONNECTION HEIGHT (H)	0 mm	DRAIN CONNECTION HEIGHT (X)	145 ÷ 545 mm
DRAIN CONNECTION HEIGHT (Y)	-365 mm	FOOT HEIGHT	155 mm
FOOT ADJUSTMENT	155/250 mm	IPX RATING	4
WIDTH	80 cm	DEPTH	70 cm
HEIGHT	90 cm	PACKAGE WIDTH	85,0 cm
PACKAGE DEPTH	82,0 cm	PACKAGE HEIGHT	113 cm
NET WEIGHT	72,0000 kg	GROSS WEIGHT	87,2 kg
VOLUME	0,7900 m³	HARMONISED CODE	84198180
LPG CONSUMPTION	1.58 m³/h	LATENT HEAT RELEASE	6000.0 W
SENSIBLE HEAT RELEASE	2000.0 W	STEAM RELEASE	8820.0 g/h

ACCESSORIES

120620	PASTA COOKER BASKETS (2 X GN1/3) - DIM. CM (29X16X20H)
120625	PASTA COOKER BASKET (4 X GN1/6) - DIM. CM (14X14X20H)
120635	PASTA COOKER BASKET (1 X GN2/3) - DIM. CM (29X29X20H)
120652	PASTA COOKER LID (GN2/3)
120660	PASTA COOKER BASKET (1 X GN1/3 + 2 X GN1/6) - DIM. CM (29X16X20H) (14X14X20H)
120700	PASTA COOKER BASKET (2 X GN2/6) - DIM. CM (14.5X29X20H)
719005	TECNO74 REAR COVERING PANEL FOR FREESTANDING ELEMENTS (L=80CM)
799503	SIDE COVERING PANEL FOR FREESTANDING MODULE
799506	PAIR OF CLOSING ELEMENTS (L=70CM)

INSTALLATION SCHEMES

+



15.11.12	5415.708,00	1/1	CP4FG7 - CP8FG7
----------	-------------	-----	-----------------