

713086

BS8IG7

FREESTANDING TILTING GAS BRATT PAN 50L WITH AN AISI 304 STAINLESS STEEL TANK ON CLOSED CABINET



- Freestanding tilting gas bratt pan 50 L on a closed cabinet (80 cm). Manual tank lifting.
- AISI 304 stainless steel worktop and Scotch Brite finish with internal side-by-side joining system.
- AISI 304 stainless steel control panel and side panels.
- The braising pan bratt pan is intended to braise and prepare stews, sauces, risottos, pan-fried vegetables and cooking with minimal liquid. Use as a fryer is not allowed.
- AISI 304 tilting tank with a 12 mm bottom and 2 mm walls.
- Heating through a multi-branch stainless steel 12 kW tubular burner.
- Thermostatic valve with positions 0-1-2-3-4-5-6-7.
- Regulation 0-300°C.
- Piezoelectric ignition.
- Pilot burner and safety thermocouple.
- Micro safety switch on the lifting mechanism: when the tank is lifted the burner switches off, leaving the pilot burner active.
- AISI 304 stainless steel lid with integrated handle and hinge.
- Water filling control on the front panel.
- Water dispenser fixed on the rear of the worktop to the worktop rear, outside the tank.
- AISI 304 height-adjustable feet (133/195 mm).
- The gas appliances are CE-certified by German body DVGW and have passed the most stringent safety tests.
- The supply of the equipment follows the customer's wishes in terms of nozzles installed, even during the testing phase. The standard configuration is G20 natural gas. In addition, a set of nozzles is supplied should conversion on site be necessary.

TECHNICAL DATA

TOTAL POWER	12 kW	GAS POWER	12 kW
TEMPERATURE RANGE	100÷340 °C	TANK CAPACITY	50 lt
NATURAL GAS CONSUMPTION	1,27 m³/h	TANK DIMENSIONS	70x46,5x20 cm
TANK BOTTOM THICKNESS	10 mm	DRAINING THE TANK	Manual tipping
TANK TYPE	AISI 304	CE GAS CERTIFICATE NUMBER	CE-0085AU0441
WATER CONNECTION POSITION	Bottom	GAS CONNECTION DIAMETER	1/2"G EN10226-1
WATER CONNECTION DIAMETER	0,472441"	IPX RATING	4
WIDTH	80 cm	DEPTH	70 cm
HEIGHT	90 cm	PACKAGE WIDTH	92 cm
PACKAGE DEPTH	85 cm	PACKAGE HEIGHT	116 cm
NET WEIGHT	113,0000 kg	GROSS WEIGHT	131 kg
VOLUME	0,9600 m³	HARMONISED CODE	84198180
LPG CONSUMPTION	0.95 m³/h		

ACCESSORIES

799506 PAIR OF CLOSING ELEMENTS (L=70CM)

INSTALLATION SCHEMES

(IN)
 Collegamento acqua
 Water connection
 Wasseranschluss
 Connexion eau
 Conexión agua

(H)
 Collegamento gas
 Gas connection
 Gasanschluss
 Connexion gaz
 Conexión gas

(⚡)
 Collegamento elettrico
 Electric connection
 Elektrische Verbindung
 Connexion électrique
 Conexión eléctrica

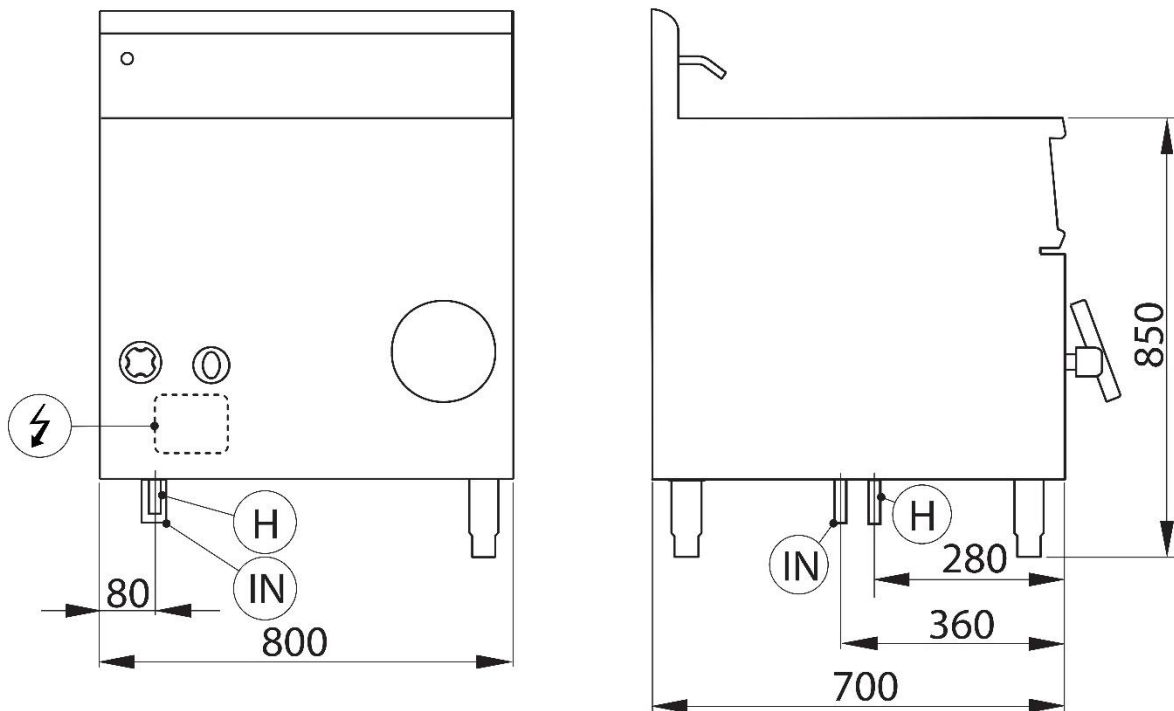


Fig.1 | Abb.1 | рис.1 - 5415.669.00