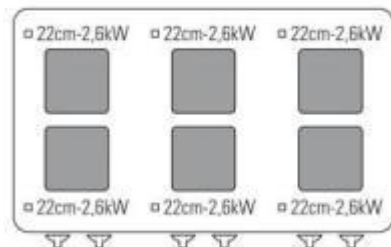


716067

PFSX12E7

ELECTRIC COOKER WITH 6 SQUARED HERMETIC PLATES (22X22 CM - 8.7X8.7 IN) ON FULL-SIZE ELECTRIC STATIC OVEN (92.5X63X30 CM) WITH 1 GRID



- Electric cooker (120 cm) with 6 squared cast iron plates (22x22 cm) on a H30 Full Size electric static oven (92.5x61.5x30H cm) with grill.
- Deep drawn worktop with rounded corners to avoid overflow and for maximum hygiene and easy cleaning.
- Cast iron electric plates hermetically sealed to the deep drawn worktop.
- 2.6 kW power for each plate adjustable to 6 levels.
- Temperature limiter inside the plates to reduce energy consumption.
- Heating and control commands specific for each plate.
- Lights warning when the plates are on.
- Setup for installing a water tap.
- AISI 304 stainless steel height-adjustable feet (133/195 mm).

>> H30 FULL-SIZE 92.5x61.5x30H cm ELECTRIC OVEN WITH GRILL

>> AISI 304 stainless steel oven door.

>> Stainless steel oven cooking chamber and long-lasting steel mesh and glass fibre gasket resistant to high temperatures.

>> Heating through upper and lower heating elements with the option to select base, grill, and base + grill.

>> Thermostatic control 0-60-270°C.

>> Heating through 3 lower stainless steel-armoured heating elements and upper electric grill.

>> 2 removable pickled steel bottoms (3 mm thick).

>> Stainless steel removable side tray racks.

- AISI 304 stainless steel worktop and Scotch Brite finish with internal side-by-side joining system.
- AISI 304 stainless steel control panel and side panels.
- Technical compartment to facilitate connection to the electrical network.

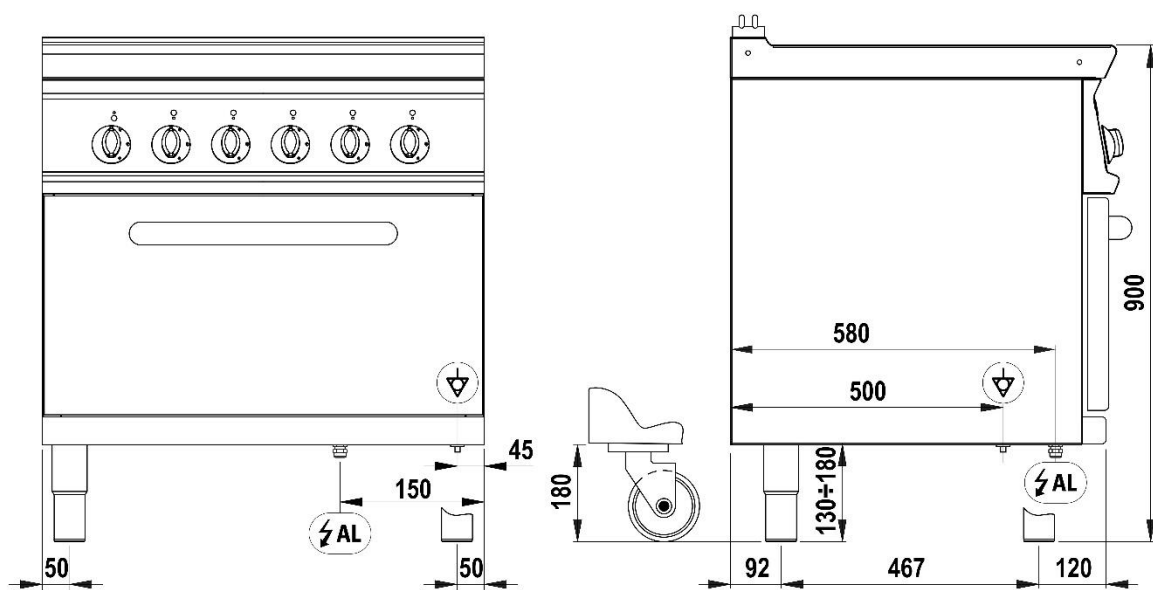
TECHNICAL DATA

TOTAL POWER	21,9 kW	ELECTRIC POWER	21,9 kW
FREQUENCY	50/60 Hz	VOLTAGE	400 3N ~ V
OVEN POWER	6,3 kW	BOILING TOP POWER	15,6 kW
COOKING ZONE POWER	6x2,6 n°- kW	TRAY CAPACITY	n° 4x(888x603)
COOKING CHAMBER DIMENSIONS	92,5x63x30 cm	OVEN DIMENSIONS	Full size H. 30 cm
ELECTRIC PLATE DIMENSIONS	22x22 cm	GUIDES	n° 4
NUMBER OF COOKING ZONES	n° 6	VERTICAL DISTANCE BETWEEN TRAYS	6 cm
OVEN TEMPERATURE RANGE	60÷270 °C	MINIMUM POWER CABLE CROSS-SECTION	5 x 6 n° - mm ²
ELECTRIC CABLE TYPE	H07 RN-F	OVEN TYPE	Static
ELECTRICAL CONNECTION HEIGHT (H)	0 mm	ELECTRICAL CONNECTION HEIGHT (X)	1050 mm
ELECTRICAL CONNECTION HEIGHT (Y)	-580 mm	FOOT HEIGHT	155 mm
FOOT ADJUSTMENT	155/250 mm	IPX RATING	4
WIDTH	120 cm	DEPTH	70 cm
HEIGHT	90 cm	PACKAGE WIDTH	125,0 cm
PACKAGE DEPTH	82,0 cm	PACKAGE HEIGHT	112,0 cm
NET WEIGHT	139,0000 kg	GROSS WEIGHT	166,0000 kg
VOLUME	01,1500 m ³	HARMONISED CODE	84198180
LATENT HEAT RELEASE	1752.0 W	SENSIBLE HEAT RELEASE	4380.0 W
STEAM RELEASE	2584.2 g/h		

ACCESSORIES

220595	EXTRA FULL-SIZE OVEN GRID (88X62CM)
399516	ADJUSTABLE WATER TAP
619013	FULL SIZE INOX TRAY
620690	TOP FRAME FOR 2 SQUARE HOT PLATES
799506	PAIR OF CLOSING ELEMENTS (L=70CM)

INSTALLATION SCHEMES



PFR_E7

PFS_E7

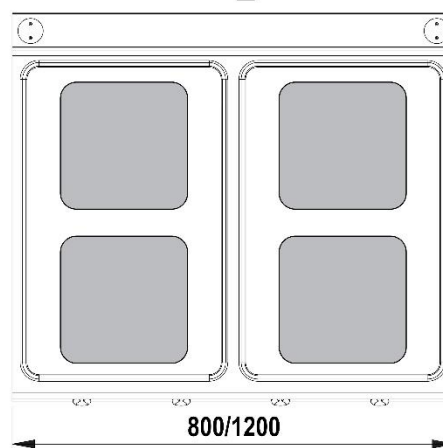
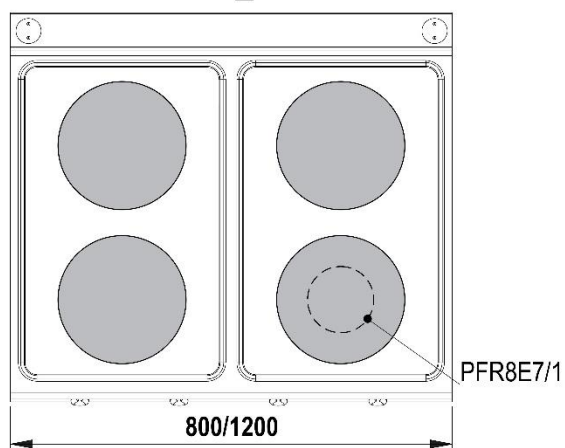


Fig.1 | Abb.1 | рис.1 - 5415.659.00