

716074

BS8IE7

## FREESTANDING TILTING ELECTRIC BRATT PAN 50L WITH AN AISI 304 STAINLESS STEEL TANK ON CLOSED CABINET



- Freestanding tilting electric braising pan bratt pan 50 L on a closed cabinet (80 cm). Manual tank lifting.
- AISI 304 stainless steel worktop and Scotch Brite finish with internal side-by-side joining system.
- AISI 304 stainless steel control panel and side panels.
- The braising pan bratt pan is intended to braise and prepare stews, sauces, risottos, pan-fried vegetables and cooking with minimal liquid. Use as a fryer is not allowed.
- Armoured heating elements in Incoloy alloy.
- AISI 304 tilting tank with a 12 mm bottom and 2 mm walls.
- Thermostatic control 0-295°C
- Green lamp indicating the presence of voltage and orange light indicating heating element operation.
- Safety thermostat automatically cuts the mains power in the presence of a fault.
- Micro safety switch on the lifting mechanism: lifting the tank disconnects power from the heating elements.
- AISI 304 stainless steel lid with integrated handle and hinge.
- Water filling control on the front panel.
- Water dispenser fixed on the rear of the worktop to the worktop rear, outside the tank.
- AISI 304 height-adjustable feet (133/195 mm).

---

**TECHNICAL DATA**

TOTAL POWER	8,7 kW	ELECTRIC POWER	8,7 kW
FREQUENCY	50/60 Hz	VOLTAGE	380-415 3N~ V
TEMPERATURE RANGE	45÷295 °C	TANK CAPACITY	50t
TANK DIMENSIONS	70x46,5x20 cm	MINIMUM POWER CABLE CROSS-SECTION	5 x 2,5 n° - mm <sup>2</sup>
TANK BOTTOM THICKNESS	10 mm	DRAINING THE TANK	Manual tipping
ELECTRIC CABLE TYPE	H07 RN-F	TANK TYPE	AISI 304
WATER CONNECTION POSITION	Bottom	WATER CONNECTION DIAMETER	0,472441"
IPX RATING	4	WIDTH	80 cm
DEPTH	70 cm	HEIGHT	90 cm
PACKAGE WIDTH	92 cm	PACKAGE DEPTH	86 cm
PACKAGE HEIGHT	125 cm	NET WEIGHT	114,0000 kg
GROSS WEIGHT	132 kg	VOLUME	0,99 m <sup>3</sup>
HARMONISED CODE	84198180		

---

**ACCESSORIES**

799506 PAIR OF CLOSING ELEMENTS (L=70CM)

## INSTALLATION SCHEMES

(IN)  
 Collegamento acqua  
 Water connection  
 Wasseranschluss  
 Connexion eau  
 Conexión agua

(H)  
 Collegamento gas  
 Gas connection  
 Gasanschluss  
 Connexion gaz  
 Conexión gas

(⚡)  
 Collegamento elettrico  
 Electric connection  
 Elektrische Verbindung  
 Connexion électrique  
 Conexión eléctrica

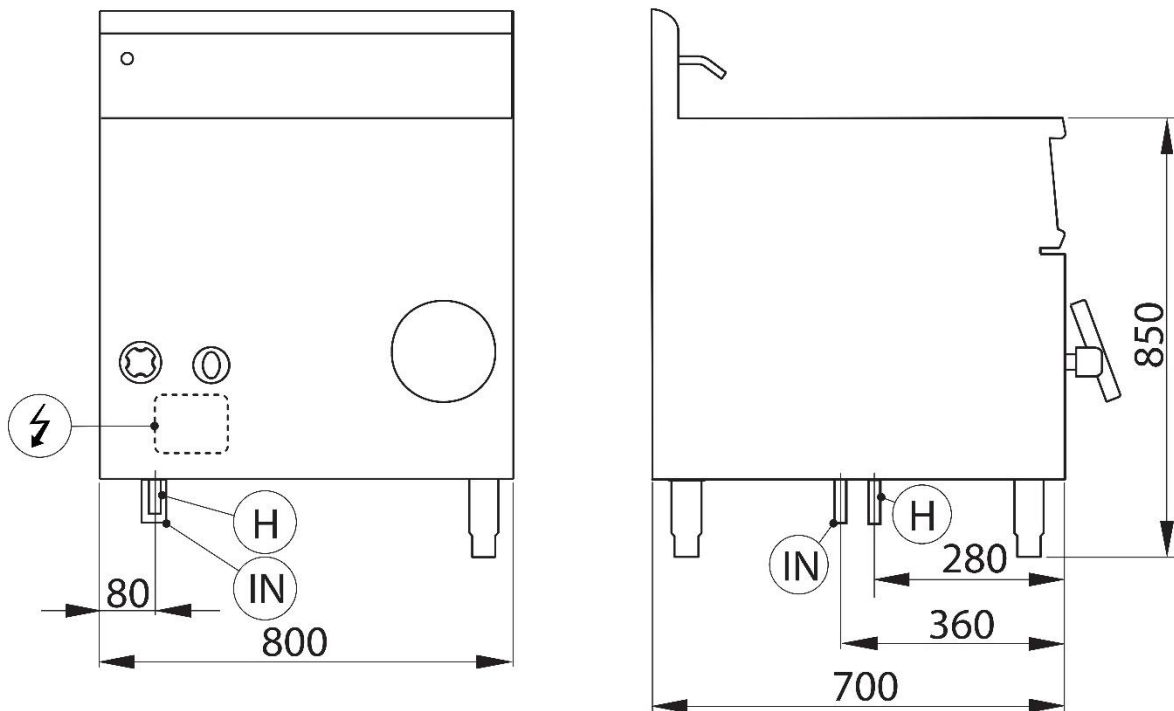


Fig.1 | Abb.1 | рис.1 - 5415.669.00