

716075

P8IE7

FREESTANDING ELECTRIC BOILING PAN 50L WITH INDIRECT HEATING AND AISI 316 STAINLESS STEEL TANK



- Electric indirect heat boiling pan with a 50 L capacity tank.
- AISI 304 stainless steel worktop and Scotch Brite finish with internal side-by-side joining system.
- AISI 304 stainless steel control panel and side panels.
- Indirect heat boiling pans are suitable for cooking dense or gelatinous foods as well as for immersion cooking.
- AISI 304 stainless steel tank walls and AISI 316 bottom (2 mm thick).
- Worktop with a liquid-collection basin and drain.
- Heating through armoured heating elements in Incoloy alloy inside the jacket.
- Jacket with pressure gauge, 0.5 bar safety valve and cap for filling distilled water.
- The appliance is fitted with a three-position selector switch: position 0: Off; position 1: Power reduced by 50%; position 2: Maximum power (100%).
- Operating thermostat that adjusts the temperature inside the cooking tank 0-40-60-80-100°C.
- Green light indicating voltage presence.
- Orange light indicating that the heating elements are heating up.
- Safety thermostat automatically stops operation in the presence of a fault.
- Stainless steel lid with heat-resistant handle.
- Mixer tap for loading hot/cold water fixed on the rear part of the worktop.
- Chrome-plated brass tank drain valve with heat-resistant handle on front panel.
- AISI 304 height-adjustable feet (133/195 mm).

TECHNICAL DATA

TOTAL POWER	9 kW	ELECTRIC POWER	9 kW
FREQUENCY	50/60 Hz	VOLTAGE	400 3N ~ V
TANK CAPACITY	50lt	TANK DIMENSIONS	Ø40xh45 cm
HEATING	Indirect	MINIMUM POWER CABLE CROSS-SECTION	5 x 2,5 n° - mm ²
ELECTRIC CABLE TYPE	H07 RN-F	WATER CONNECTION POSITION	Bottom
WATER CONNECTION DIAMETER	0,393701"	IPX RATING	3
WIDTH	80 cm	DEPTH	70 cm
HEIGHT	90 cm	PACKAGE WIDTH	97,0 cm
PACKAGE DEPTH	87,0 cm	PACKAGE HEIGHT	115,0 cm
NET WEIGHT	95,0000 kg	GROSS WEIGHT	115,0000 kg
VOLUME	0,9600 m ³	HARMONISED CODE	84198180

ACCESSORIES

- 619007 PASTA BASKET FOR 50L BOILING PAN - 3MM HOLE DIAMETER - 0.12 IN
 619008 VEGETABLES BASKET FOR 50LT BOILING PAN -HOLES DIAMETER 5MM - 0.20INCH
 799506 PAIR OF CLOSING ELEMENTS (L=70CM)

INSTALLATION SCHEMES

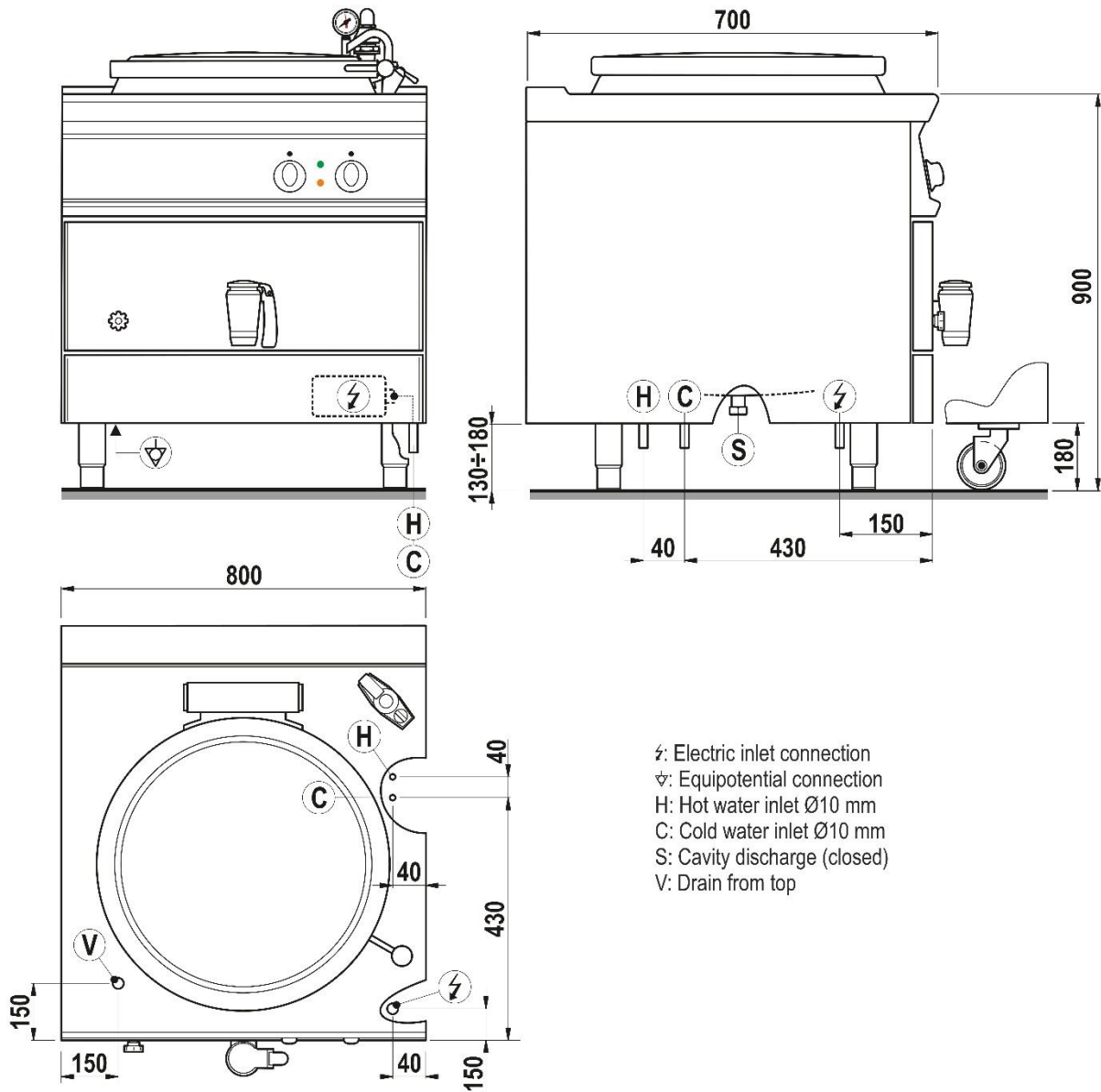


Fig.1 | Abb.1 | рис.1 - 09.04.2021 - 5416.388.00