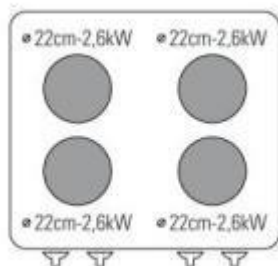


716084

PFR8V7/1

ELECTRIC COOKER WITH 4 ROUND HERMETIC PLATES (DIAM 22 CM - 8.7 IN) ON GN1/1 ELECTRIC CONVECTION OVEN AND 1 GRID



- Electric cooker (80 cm) with 4 round cast iron plates (22 cm diameter) on a GN 1/1 electric convection oven.
- Deep drawn worktop with rounded corners to avoid overflow and for maximum hygiene and easy cleaning.
- Cast iron electric plates hermetically sealed to the deep drawn worktop.
- 2.6 kW power for each plate adjustable to 6 levels.
- Temperature limiter inside the plates to reduce energy consumption.
- Heating and control commands specific for each plate.
- Lights warning when the plates are on.
- Setup for installing a water tap.
- AISI 304 stainless steel height-adjustable feet (133/195 mm).

>> GN 1/1 ELECTRIC CONVECTION OVEN.

>> AISI 304 stainless steel oven door.

>> Stainless steel cooking chamber and long-lasting steel mesh and glass fibre gasket resistant to high temperatures.

>> Heating through 2 fans with 2 heating elements with thermostatic control 60-270°C.

>> Stainless steel removable side tray racks.

>> 1 grid included.

- AISI 304 stainless steel worktop and Scotch Brite finish with internal side-by-side joining system.
- AISI 304 stainless steel control panel and side panels.
- Technical compartment to facilitate connection to the electrical network.

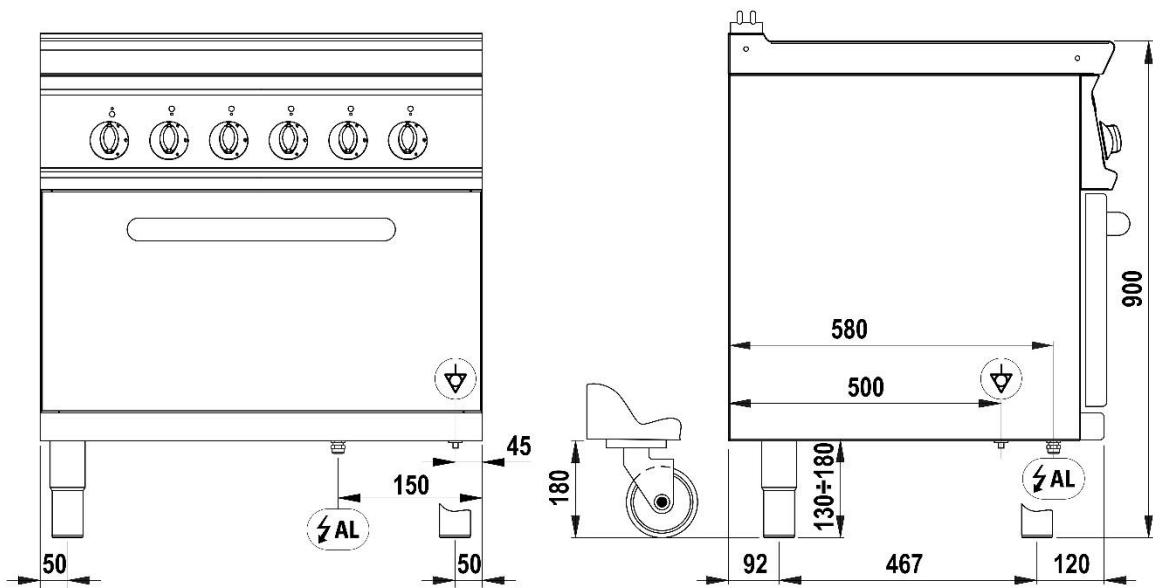
TECHNICAL DATA

TOTAL POWER	15,4 kW	ELECTRIC POWER	15,4 kW
FREQUENCY	50/60 Hz	VOLTAGE	400 3N ~ V
OVEN POWER	5 kW	BOILING TOP POWER	10,4 kW
COOKING ZONE POWER	4x2,6 n°- kW	TRAY CAPACITY	n° 5xGN1/1
COOKING CHAMBER DIMENSIONS	57x51,5x30 cm	OVEN DIMENSIONS	GN1/1
ELECTRIC PLATE DIMENSIONS	Ø 22 cm	GUIDES	n° 5
NUMBER OF COOKING ZONES	n° 4	VERTICAL DISTANCE BETWEEN TRAYS	5 cm
OVEN TEMPERATURE RANGE	60÷270 °C	MINIMUM POWER CABLE CROSS-SECTION	5 x 4 n° - mm ²
ELECTRIC CABLE TYPE	H07 RN-F	OVEN TYPE	Convection
ELECTRICAL CONNECTION HEIGHT (H)	0 mm	ELECTRICAL CONNECTION HEIGHT (X)	650 mm
ELECTRICAL CONNECTION HEIGHT (Y)	-580 mm	FOOT HEIGHT	155 mm
FOOT ADJUSTMENT	155/250 mm	IPX RATING	4
WIDTH	80 cm	DEPTH	70 cm
HEIGHT	90 cm	PACKAGE WIDTH	86 cm
PACKAGE DEPTH	81 cm	PACKAGE HEIGHT	114 cm
NET WEIGHT	83,5000 kg	GROSS WEIGHT	100,5 kg
VOLUME	0,79 m ³	HARMONISED CODE	84198180
LATENT HEAT RELEASE	1232.0 W	SENSIBLE HEAT RELEASE	3080.0 W
STEAM RELEASE	1817.2 g/h		

ACCESSORIES

399516	ADJUSTABLE WATER TAP
619004	EXTRA OVEN GRID GN1/1 (53X47CM)
799506	PAIR OF CLOSING ELEMENTS (L=70CM)

INSTALLATION SCHEMES



PFR_E7

PFS_E7

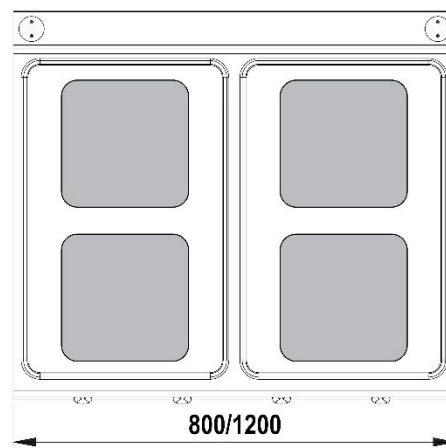
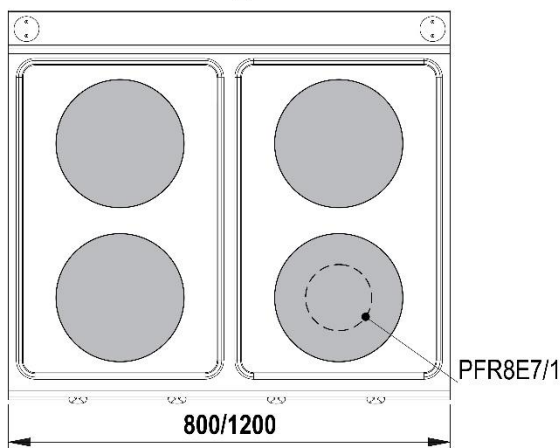


Fig.1 | Abb.1 | рис.1 - 5415.659.00