

**716108**

PFU8V7

**ELECTRIC COOKER WITH 4 SQUARED COPLANAR  
TILTING PLATES (30X30 CM - 11.8X11.8 IN) ON  
GN1/1 ELECTRIC CONVECTION OVEN WITH 1 GRID**



- Electric cooker (80 cm) with 4 coplanar, tilting electric plates on a GN1/1 electric convection oven.
- Coplanar, tilting, squared, cast iron electric plates (30x30 cm and 8 mm thick) not hermetically sealed to the worktop.
- 3 kW power for each plate adjustable to 6 levels.
- Temperature limiter inside the plates to reduce energy consumption.
- Heating and control commands specific for each plate.
- Lights warning when the plates are on.
- Drawer to collect cooking residue.
- AISI 304 stainless steel height-adjustable feet (133/195 mm).

>> GN 1/1 ELECTRIC CONVECTION OVEN.

>> AISI 304 stainless steel oven door.

>> Stainless steel cooking chamber and long-lasting steel mesh and glass fibre gasket resistant to high temperatures.

>> Heating through 2 fans with 2 heating elements with thermostatic control 60-270°C.

>> Stainless steel removable side tray racks.

>> 1 grid supplied.

- AISI 304 stainless steel worktop and Scotch Brite finish with internal side-by-side joining system.
- AISI 304 stainless steel control panel and side panels.
- Technical compartment to facilitate connection to the electrical network.

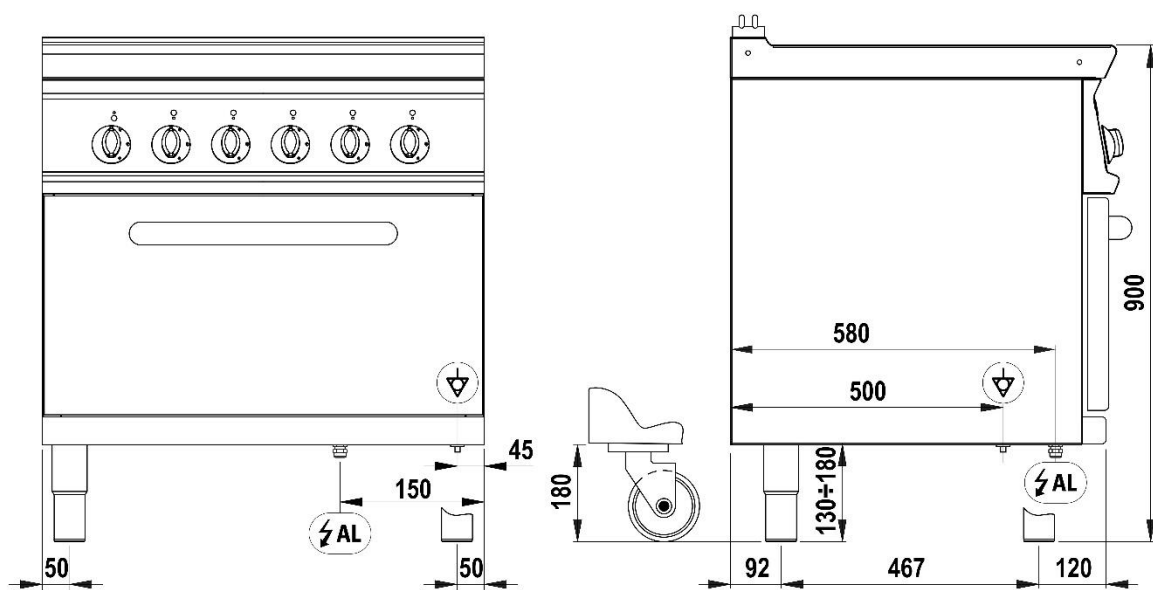
## TECHNICAL DATA

TOTAL POWER	17 kW	ELECTRIC POWER	17 kW
FREQUENCY	50/60 Hz	VOLTAGE	400 3N ~ V
OVEN POWER	5 kW	BOILING TOP POWER	12 kW
COOKING ZONE POWER	4X3 n°- kW	TRAY CAPACITY	n° 5xGN1/1
COOKING CHAMBER DIMENSIONS	57x51,5x30 cm	OVEN DIMENSIONS	GN1/1
ELECTRIC PLATE DIMENSIONS	30x30 cm	GUIDES	n° 5
NUMBER OF COOKING ZONES	n° 4	VERTICAL DISTANCE BETWEEN TRAYS	5 cm
OVEN TEMPERATURE RANGE	60÷270 °C	MINIMUM POWER CABLE CROSS-SECTION	5 x 4 n° - mm <sup>2</sup>
ELECTRIC CABLE TYPE	H07 RN-F	OVEN TYPE	Convection
ELECTRICAL CONNECTION HEIGHT (Y)	-580 mm	FOOT HEIGHT	155 mm
FOOT ADJUSTMENT	155/250 mm	IPX RATING	4
WIDTH	80 cm	DEPTH	70 cm
HEIGHT	90 cm	PACKAGE WIDTH	86 cm
PACKAGE DEPTH	81 cm	PACKAGE HEIGHT	114,0 cm
NET WEIGHT	131 kg	GROSS WEIGHT	150 kg
VOLUME	0,79 m <sup>3</sup>	HARMONISED CODE	84198180
LATENT HEAT RELEASE	1360.0 W	SENSIBLE HEAT RELEASE	3400.0 W
STEAM RELEASE	2006.0 g/h		

## ACCESSORIES

- 619004 EXTRA OVEN GRID GN1/1 (53X47CM)  
 799506 PAIR OF CLOSING ELEMENTS (L=70CM)

## INSTALLATION SCHEMES



PFR\_E7

PFS\_E7

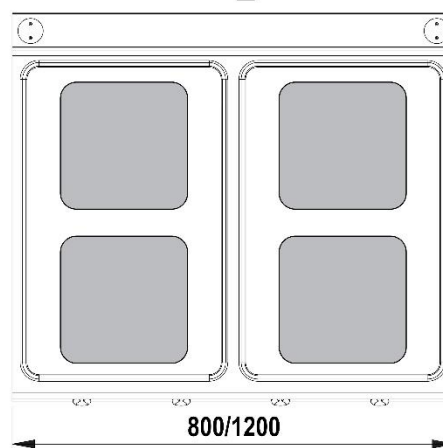
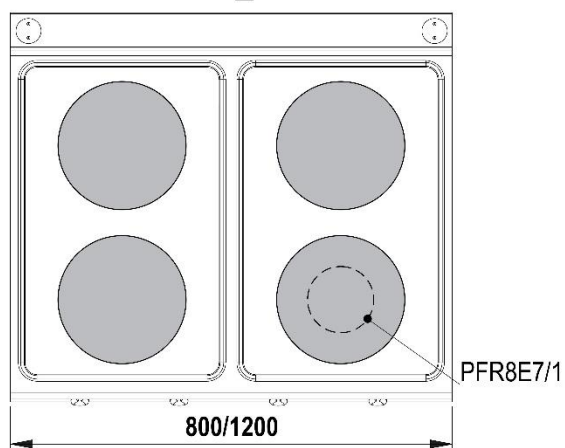


Fig.1 | Abb.1 | рис.1 - 5415.659.00