
716110

PFU12V7

**ELECTRIC COOKER WITH 6 SQUARED COPLANAR
TILTING PLATES (30X30 CM - 11.8X11.8 IN) WITH
GN1/1 ELECTRIC CONVECTION OVEN WITH 1 GRID**



- Electric cooker (120 cm) with 6 coplanar, tilting electric plates on a GN1/1 electric convection oven (80 cm) and a cabinet with a door (40 cm).
- Coplanar, tilting, squared, cast iron electric plates (30x30 cm and 8 mm thick) not hermetically sealed to the worktop.
- 3 kW power for each plate adjustable to 6 levels.
- Temperature limiter inside the plates to reduce energy consumption.
- Heating and control commands specific for each plate.
- Lights warning when the plates are on.
- Drawer to collect cooking residue.
- AISI 304 stainless steel height-adjustable feet (133/195 mm).

>> GN 1/1 ELECTRIC CONVECTION OVEN.

>> AISI 304 stainless steel oven door.

>> Stainless steel cooking chamber and long-lasting steel mesh and glass fibre gasket resistant to high temperatures.

>> Heating through 2 fans with 2 heating elements with thermostatic control 60-270°C.

>> Stainless steel removable side tray racks.

>> 1 grid supplied.

- AISI 304 stainless steel worktop and Scotch Brite finish with internal side-by-side joining system.
- AISI 304 stainless steel control panel and side panels.
- Technical compartment to facilitate connection to the electrical network.

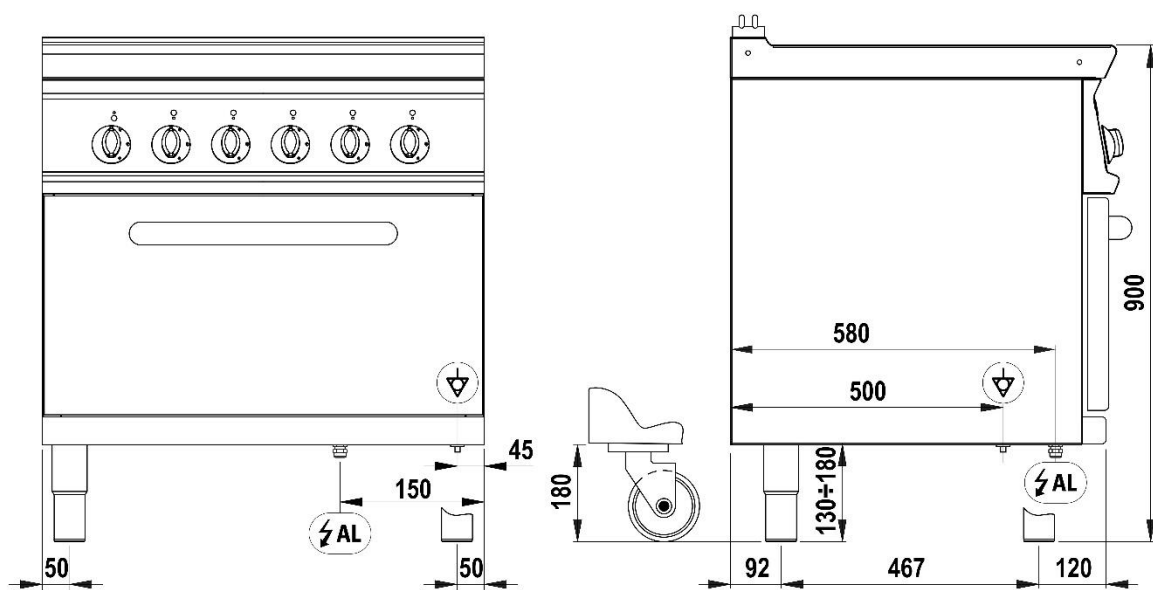
TECHNICAL DATA

TOTAL POWER	23 kW	ELECTRIC POWER	23 kW
FREQUENCY	50/60 Hz	VOLTAGE	400 3N ~ V
OVEN POWER	5 kW	BOILING TOP POWER	18 kW
COOKING ZONE POWER	6X3 n°- kW	TRAY CAPACITY	n° 5xGN1/1
COOKING CHAMBER DIMENSIONS	57x51,5x30 cm	OVEN DIMENSIONS	GN1/1
ELECTRIC PLATE DIMENSIONS	30x30 cm	CABINET DIMENSIONS	33x57,4x39,5 cm
GUIDES	n° 5	NUMBER OF COOKING ZONES	n° 6
VERTICAL DISTANCE BETWEEN TRAYS	5 cm	OVEN TEMPERATURE RANGE	60÷270 °C
MINIMUM POWER CABLE CROSS-SECTION	5 x 6 n° - mm ²	ELECTRIC CABLE TYPE	H07 RN-F
OVEN TYPE	Convection	ELECTRICAL CONNECTION HEIGHT (Y)	-580 mm
FOOT HEIGHT	155 mm	FOOT ADJUSTMENT	155/250 mm
IPX RATING	4	WIDTH	120 cm
DEPTH	70 cm	HEIGHT	90 cm
PACKAGE WIDTH	125,0 cm	PACKAGE DEPTH	82,0 cm
PACKAGE HEIGHT	112,0 cm	NET WEIGHT	112 kg
GROSS WEIGHT	135 kg	VOLUME	1,15 m ³
HARMONISED CODE	84198180	LATENT HEAT RELEASE	1840.0 W
SENSIBLE HEAT RELEASE	4600.0 W	STEAM RELEASE	2714.0 g/h

ACCESSORIES

- 619004 EXTRA OVEN GRID GN1/1 (53X47CM)
 799506 PAIR OF CLOSING ELEMENTS (L=70CM)

INSTALLATION SCHEMES



PFR_E7

PFS_E7

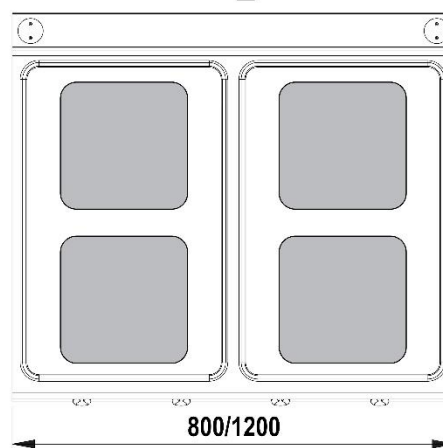
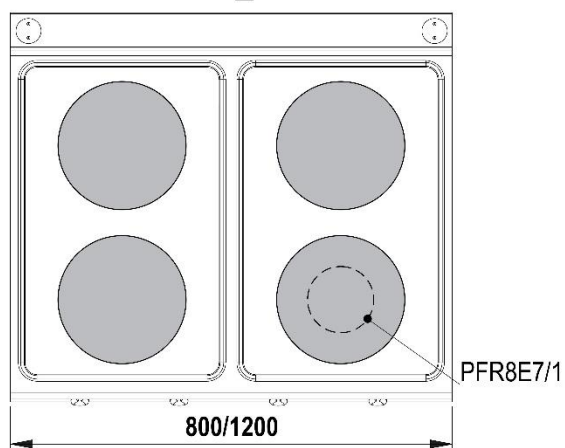


Fig.1 | Abb.1 | рис.1 - 5415.659.00