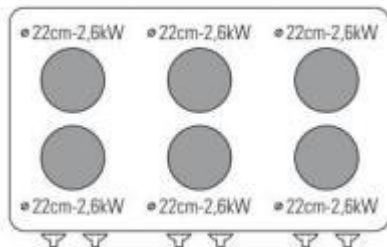


716190

PFR12E7

6 ROUND HERMETIC HOT PLATES ELECTRIC BOILING TOP ON GN2/1 ELECTRIC STATIC OVEN WITH 1 GRID (DIAM 22CM - 8.7IN)



- Electric cooker (120 cm) with 6 round cast iron plates (22 cm diameter) on a GN 2/1 electric static oven and a cabinet with a door (40 cm).
- Deep drawn worktop with rounded corners to avoid overflow and for maximum hygiene and easy cleaning.
- Cast iron electric plates hermetically sealed to the deep drawn worktop.
- 2.6 kW power for each plate adjustable to 6 levels.
- Temperature limiter inside the plates to reduce energy consumption.
- Heating and control commands specific for each plate.
- Lights warning when the plates are on.
- Setup for installing a water tap.
- AISI 304 stainless steel height-adjustable feet (133/195 mm).

>> GN 2/1 ELECTRIC STATIC OVEN

>> AISI 304 stainless steel oven door.

>> Stainless steel cooking chamber and long-lasting steel mesh and glass fibre gasket resistant to high temperatures.

>> Heating through upper and lower heating elements that can be activated together or separately.

>> Thermostatic control 60-270°C.

>> Stainless steel removable side tray racks.

>> 1 grid included.

• AISI 304 stainless steel worktop and Scotch Brite finish with internal side-by-side joining system.

• AISI 304 stainless steel control panel and side panels.

• Technical compartment to facilitate connection to the electrical network.

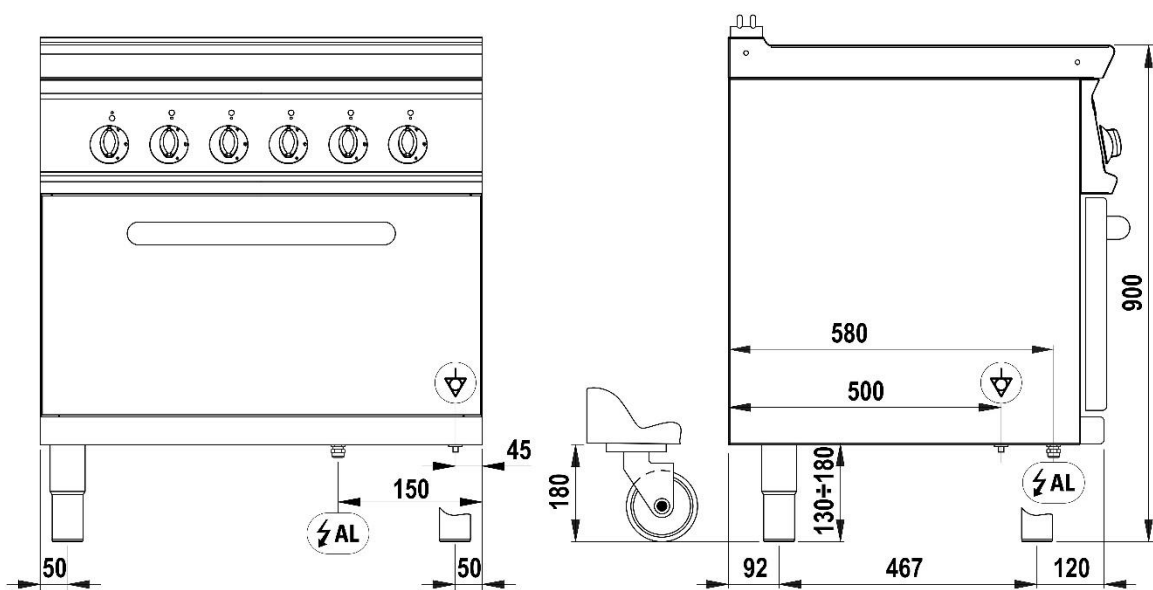
TECHNICAL DATA

TOTAL POWER	20,9 kW	ELECTRIC POWER	20,9 kW
FREQUENCY	50/60 Hz	VOLTAGE	400 3N ~ V
OVEN POWER	5,3 kW	BOILING TOP POWER	15,6 kW
COOKING ZONE POWER	6x2,6 n°- kW	TRAY CAPACITY	n° 4xGN2/1
COOKING CHAMBER DIMENSIONS	57,5x65x30 cm	OVEN DIMENSIONS	GN2/1
ELECTRIC PLATE DIMENSIONS	Ø 22 cm	CABINET DIMENSIONS	33x57,4x39,5 cm
GUIDES	n° 4	NUMBER OF COOKING ZONES	n° 6
VERTICAL DISTANCE BETWEEN TRAYS	6 cm	OVEN TEMPERATURE RANGE	60±270 °C
MINIMUM POWER CABLE CROSS-SECTION	5 x 6 n° - mm ²	ELECTRIC CABLE TYPE	H07 RN-F
OVEN TYPE	Static	ELECTRICAL CONNECTION HEIGHT (H)	0 mm
ELECTRICAL CONNECTION HEIGHT (X)	1050 mm	ELECTRICAL CONNECTION HEIGHT (Y)	-580 mm
FOOT HEIGHT	155 mm	FOOT ADJUSTMENT	155/250 mm
IPX RATING	4	WIDTH	120 cm
DEPTH	70 cm	HEIGHT	90 cm
PACKAGE WIDTH	125,0 cm	PACKAGE DEPTH	82,0 cm
PACKAGE HEIGHT	114,0 cm	NET WEIGHT	111 kg
GROSS WEIGHT	134 kg	VOLUME	01,1500 m ³
HARMONISED CODE	84198180	LATENT HEAT RELEASE	1672.0 W
SENSIBLE HEAT RELEASE	4180.0 W	STEAM RELEASE	2466.2 g/h

ACCESSORIES

220590	EXTRA OVEN GRID GN2/1 (53X63CM)
399516	ADJUSTABLE WATER TAP
619012	GN2/1 INOX TRAY
799506	PAIR OF CLOSING ELEMENTS (L=70CM)

INSTALLATION SCHEMES



PFR_E7

PFS_E7

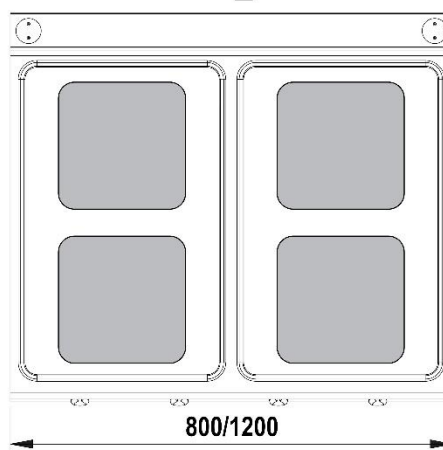
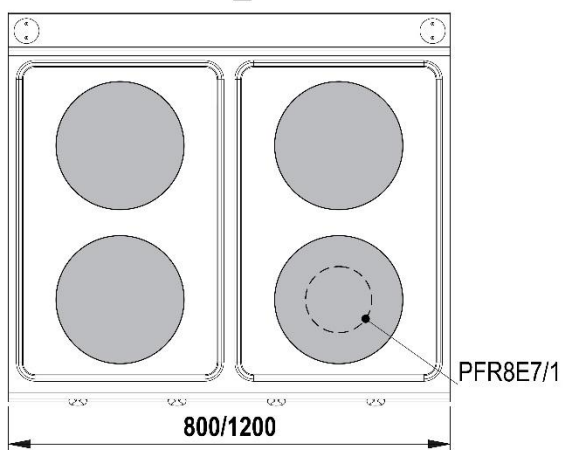


Fig.1 | Abb.1 | рис.1 - 5415.659.00