

716196

PFU12E7

**6 COPLANAR SQUARE TILTING HOT PLATES
BOILING TOP ON GN2/1 ELECTRIC STATIC OVEN
WITH 1 GRID (PLATE 30X30CM - 11.8X11.8IN)**



- Electric cooker (120 cm) with 6 coplanar, tilting electric plates on a GN2/1 electric static oven (80 cm) and a cabinet with a door (40 cm).
- Coplanar, tilting, squared, cast iron electric plates (30x30 cm and 8 mm thick) not hermetically sealed to the worktop.
- 3 kW power for each plate adjustable to 6 levels.
- Temperature limiter inside the plates to reduce energy consumption.
- Heating and control commands specific for each plate.
- Lights warning when the plates are on.
- Drawer to collect cooking residue.
- AISI 304 stainless steel height-adjustable feet (133/195 mm).

>> GN 2/1 ELECTRIC STATIC OVEN

>> AISI 304 stainless steel oven door.

>> Stainless steel cooking chamber and long-lasting steel mesh and glass fibre gasket resistant to high temperatures.

>> Heating through upper and lower heating elements that can be activated together or separately.

>> Thermostatic control 60-270°C.

>> Stainless steel removable side tray racks.

>> 1 grid supplied.

• AISI 304 stainless steel worktop and Scotch Brite finish with internal side-by-side joining system.

• AISI 304 stainless steel control panel and side panels.

• Technical compartment to facilitate connection to the electrical network.

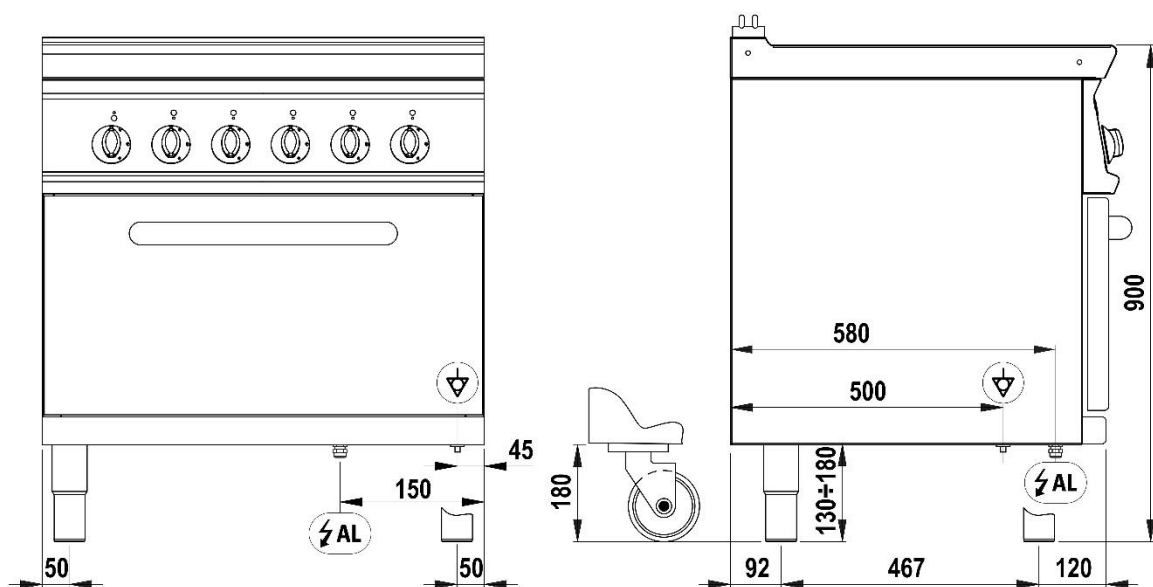
TECHNICAL DATA

TOTAL POWER	23,3 kW	ELECTRIC POWER	23,3 kW
FREQUENCY	50/60 Hz	VOLTAGE	400 3N ~ V
OVEN POWER	5,3 kW	BOILING TOP POWER	18 kW
COOKING ZONE POWER	6X3 n°- kW	TRAY CAPACITY	n° 4xGN2/1
COOKING CHAMBER DIMENSIONS	57,5x65x30 cm	OVEN DIMENSIONS	GN2/1
ELECTRIC PLATE DIMENSIONS	30x30 cm	CABINET DIMENSIONS	33x57,4x39,5 cm
GUIDES	n° 4	NUMBER OF COOKING ZONES	n° 6
VERTICAL DISTANCE BETWEEN TRAYS	6 cm	OVEN TEMPERATURE RANGE	60÷270 °C
MINIMUM POWER CABLE CROSS-SECTION	5 x 6 n° - mm ²	ELECTRIC CABLE TYPE	H07 RN-F
OVEN TYPE	Static	ELECTRICAL CONNECTION HEIGHT (Y)	-580 mm
FOOT HEIGHT	155 mm	FOOT ADJUSTMENT	155/250 mm
IPX RATING	4	WIDTH	120 cm
DEPTH	70 cm	HEIGHT	90 cm
PACKAGE WIDTH	126 cm	PACKAGE DEPTH	81 cm
PACKAGE HEIGHT	114 cm	NET WEIGHT	197 kg
GROSS WEIGHT	220 kg	VOLUME	1,16 m ³
HARMONISED CODE	84198180	LATENT HEAT RELEASE	1864.0 W
SENSIBLE HEAT RELEASE	4660.0 W	STEAM RELEASE	2749.4 g/h

ACCESSORIES

220590	EXTRA OVEN GRID GN2/1 (53X63CM)
619012	GN2/1 INOX TRAY
799506	PAIR OF CLOSING ELEMENTS (L=70CM)

INSTALLATION SCHEMES



PFR_E7

PFS_E7

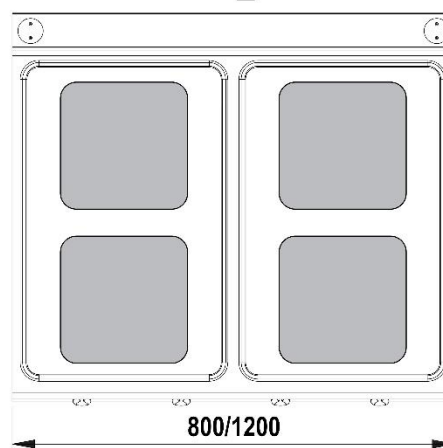
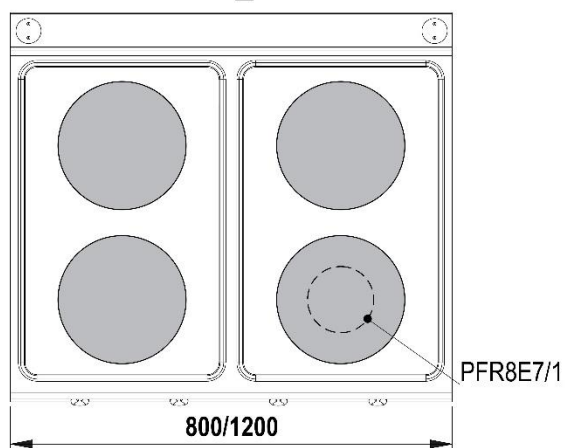


Fig.1 | Abb.1 | рис.1 - 5415.659.00